

MOLINE TRACTOR WORKS
OF DEERE & CO.

REPAIR CATALOG

No. 4-T

FOR

JOHN DEERE MODELS "E",

"EK", and "EP" ENGINES

(1½-, 3-, and 6-H.P.)

EFFECTIVE JANUARY 15, 1945

MOLINE TRACTOR WORKS

OF DEERE & CO.

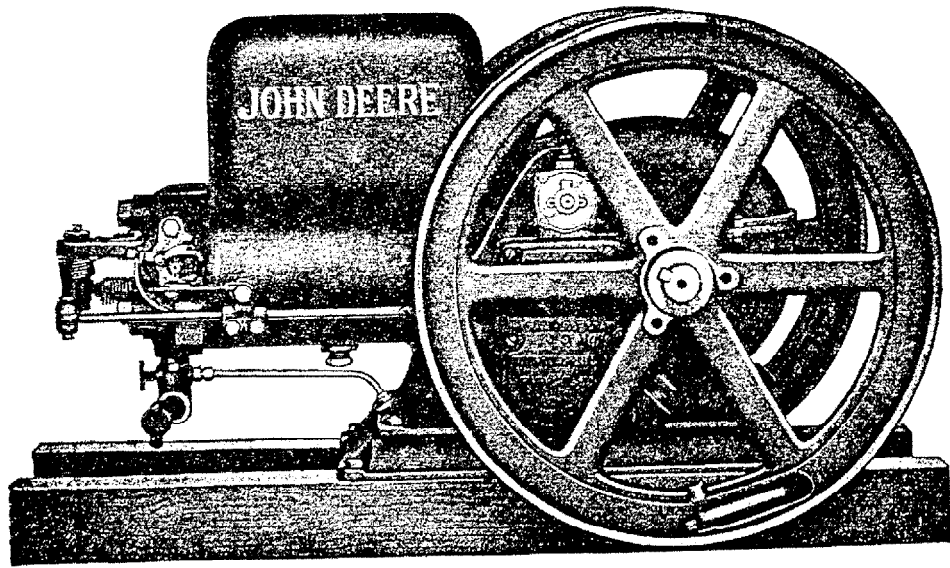
MOLINE, ILLINOIS, U. S. A.

SUPERSEDES ALL PREVIOUS EDITIONS

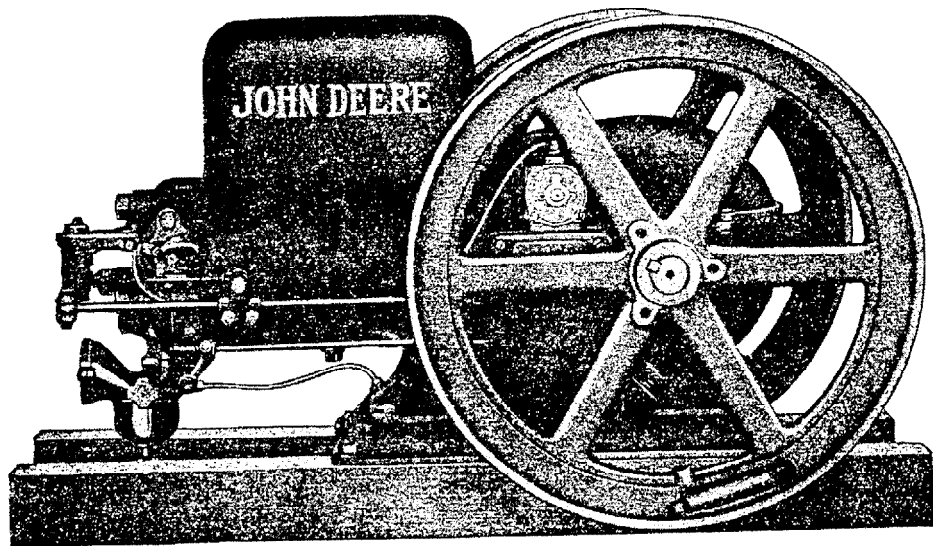


INDEX

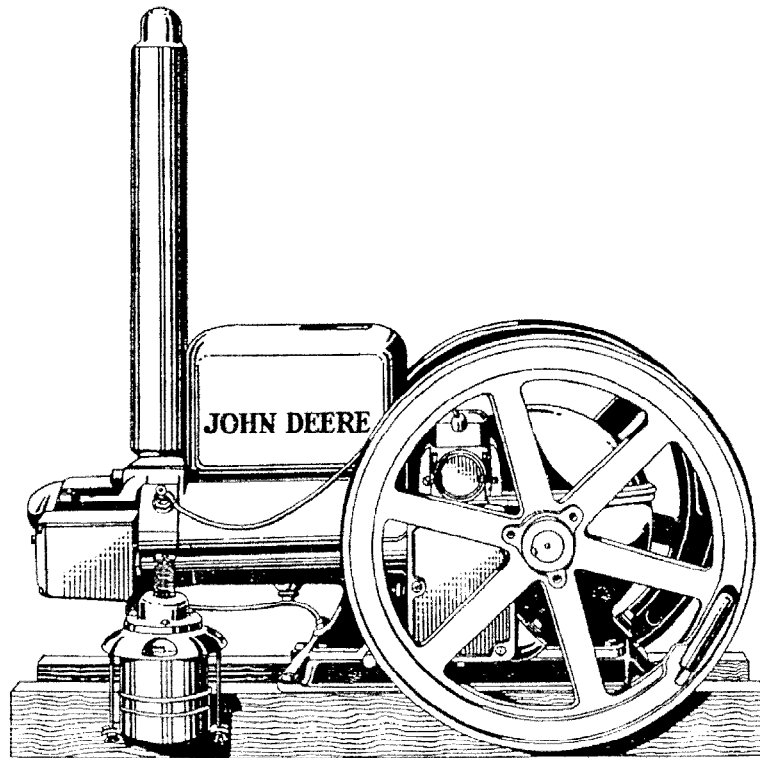
SUBJECT	Page	SUBJECT	Page
Battery Parts.....	8	Igniter.....	7
Casting List.....	16	Illustrations.....	17
Connecting Rod and Piston.....	4	Magneto.....	7
Crankshaft.....	4	Magneto Parts.....	7
Cylinder.....	3	Magneto Parts (Wico) (Used on EP Engines)..	11
Cylinder Head.....	3	Mixer (Fuel).....	5
Engine Parts (Battery).....	8	Movable Timer.....	8
Engine Parts (Magneto).....	6	Numerical Index.....	25
Exhaust Rod.....	4	Piston and Connecting Rod.....	4
Friction Clutch Pulley.....	6	Plain Pulley.....	6
Fuel System.....	5	Stationary Timer.....	8
Governor.....	4	Type EK Engine Parts.....	9
Hand Trucks—Engine.....	7	Type EP Engine Parts.....	10
Hardware List.....	12		



Model "E" 3-H. P. Engine



Model "EK" 3-H. P. Engine



Model "EP" Engine

Instructions for Ordering Parts

First. Always give serial number of engine when ordering repairs.

Second. Give part number and name of each part ordered. If in doubt as to correct name and part number, send dimensioned sketch or return broken parts, charges prepaid.

Third. Orders for parts should be written separately from correspondence.

Fourth. State whether shipments are to be forwarded by Freight, Express, or Parcel Post. Telegraph orders will be shipped Express or Parcel Post unless otherwise instructed.

JOHN DEERE MODELS "E", "EK", AND "EP" ENGINES

For Models "EK" and "EP" Engine repair parts first see pages 9, 10, 11, and 12.

Part Number	H. P. Size	NAME AND DESCRIPTION	Plate No.
CYLINDER			
629 R	1-1/2-3	Washer, on Crankcase Cover to Waterpot Cap Screw.....	5
1450 R	1-1/2-3-6	Pipe Plug, in Lower Hook-Up Lever Shaft Hole.....	5
1705 R	6	Washer, on Crankcase Cover to Waterpot Cap Screw.....	3
A 2093 R	1-1/2-3-6	Pipe Plug, Cylinder Drain.....	5
AE 29 RT	1-1/2	Cover, Crankcase, E60 R, with Oil Guard (Prior to Serial No. 326572)...	1
AE 85 RT	1-1/2	Cylinder, E103 R, with Studs, Main Bearings, Caps and Bushings.....	1
AE 86 RT	3	Cylinder, E77 R, with Studs, Main Bearings, Caps and Bushings.....	2
AE 171 RT	6	Cylinder, E7 R, with Studs, Main Bearings, Caps and Bushings.....	3
AE 218 RT	1-1/2	Bearing, Main (2 Halves).....	1
AE 220 RT	3	Bearing, Main (2 Halves).....	2
AE 222 RT	6	Bearing, Main (2 Halves).....	3
AE 229 RT	1-1/2	Cover, Crankcase, E127 R, with Oil Guard and Ventilator (After Serial No. 326571).....	1
C 524 R	6	Priming Cup.....	3
E 5 RT	6	Sub-base.....	4
E 6 RT	6	Cover, Crankcase.....	3
E 10 RT	6	Cap, Main Bearing.....	3
E 53 RT	1-1/2	Cap, Main Bearing.....	1
E 54 RT	1-1/2	Sub-base.....	1
E 79 RT	3	Cover, Crankcase.....	2
E 86 RT	3	Cap, Main Bearing.....	2
E 92 RT	3	Sub-base.....	2
E 128 RT	1-1/2	Spacer, Ventilator (After Serial No. 326571).....	1
E 1946 RT	1-1/2	Cover, Ventilator (After Serial No. 326571).....	1
E 1947 RT	1-1/2	Ventilator Valve (Leather) (After Serial No. 326571).....	1
E 2012 RT	6	Gasket, Oil Drain.....	3
E 2016 RT	6	Washer, Fibre, Crankcase Cover Screw (No Cut).....	
E 2019 RT	6	Gasket, Crankcase Cover.....	3
E 2020 RT	6	Gasket, Crankcase Bottom.....	4
E 2031 RT	6	Shim, Main Bearing, Thin.....	3
E 2035 RT	6	Shim, Main Bearing, Medium.....	3
E 2037 RT	6	Shim, Main Bearing, Thick.....	3
E 2045 RT	6	Stud, Cylinder Head, 3/4"x5-1/4".....	3
E 2135 RT	1-1/2	Gasket, Crankcase Bottom.....	1
E 2136 RT	3	Gasket, Crankcase Bottom.....	2
E 2183 RT	1-1/2	Gasket, Crankcase Cover.....	1
E 2187 RT	1-1/2	Guard, Oil.....	1
E 2196 RT	1-1/2	Shim, Main Bearing, Thick.....	1
E 2198 RT	1-1/2	Shim, Main Bearing, Medium.....	1
E 2220 RT	1-1/2-3-6	Washer, Packing, on Crankcase Cover to Waterpot Cap Screw.....	5
E 2229 R	3	Stud, Cylinder Head.....	2
E 2230 RT	3	Shim, Main Bearing, Thick.....	2
E 2245 RT	3	Shim, Main Bearing, Medium.....	2
E 2247 RT	3	Gasket, Crankcase Cover.....	2
E 2258 RT	1-1/2	Shim, Main Bearing, Thin.....	1
E 2270 RT	3	Shim, Main Bearing, Thin.....	2
K 2002 RT	1-1/2	Stud, Cylinder Head, 1/2" x 3-1/4".....	1
K 2003 RT	1-1/2	Stud, Cylinder Head, 1/2" x 2-1/2".....	1
CYLINDER HEAD			
AE 73 RT	3	Head, Cylinder, E78 R, with Valves and Springs.....	2
AE 89 RT	1-1/2	Head, Cylinder, E93 R, with Valves and Springs.....	1
AE 159 RT	6	Head, Cylinder, E15 R, with Valves and Springs.....	3
AE 278 RT	1-1/2	Valve, Intake and Exhaust (Set of Two, E1973 RT).....	1
AE 279 RT	3	Valve, Intake and Exhaust (Set of Two, E1974 RT).....	2
AE 280 RT	6	Valve, Intake and Exhaust (Set of Two, E1975 RT).....	3
E 15 RT	6	Head only, Cylinder.....	3
E 78 RT	3	Head only, Cylinder.....	2
E 93 RT	1-1/2	Head only, Cylinder.....	1
E 2021 RT	6	Gasket, Cylinder Head.....	3
E 2221 RT	1-1/2	Gasket, Cylinder Head.....	1
E 2251 RT	3	Gasket, Cylinder Head.....	2
K 2006 RT	1-1/2-3	Spring, Intake Valve.....	1
K 2007 RT	1-1/2-3	Spring, Exhaust Valve.....	1
K 2025 RT	3	Spring, Cushion, Intake Valve.....	2
K 2073 RT	6	Spring, Cushion, Intake Valve.....	3
K 2136 RT	6	Spring, Intake Valve.....	3
K 3146 RT	6	Spring, Exhaust Valve.....	3
K 3147 RT	6	Retainer, Exhaust Valve Spring.....	3
K 3148 RT	6	Pin, Exhaust Valve Spring.....	3

JOHN DEERE MODELS "E", "EK", AND "EP" ENGINES

For Models "EK" and "EP" Engine repair parts first see pages 9, 10, 11, and 12.

Part Number	H. P. Size	NAME AND DESCRIPTION	Plate No.
CRANKSHAFT			
AE 18 RT	1-1/2	Crankshaft with Gear.....	1
AE 60 RT	3	Crankshaft with Gear.....	2
AE 150 RT	6	Crankshaft with Gear.....	4
E 2049 RT	6	Gear, Crankshaft.....	4
E 2168 RT	1-1/2	Gear, Crankshaft.....	1
E 2207 R	1-1/2-3-6	Key, Crankshaft Gear.....	5
E 2228 RT	3	Gear, Crankshaft.....	2
PISTON AND CONNECTING ROD			
AE 40 RT	1-1/2	Connecting Rod, E49 R, with Bearings.....	1
AE 75 RT	3	Connecting Rod, E50 R, with Bearings.....	2
AE 155 RT	6	Connecting Rod, E3 R, with Bearings.....	3
AE 217 RT	1-1/2	Bearing, Connecting Rod (2 Halves).....	1
AE 219 RT	3	Bearing, Connecting Rod (2 Halves).....	2
AE 221 RT	6	Bearing, Connecting Rod (2 Halves).....	3
AE 241 RT	1-1/2	Piston with Rings.....	1
AE 242 RT	1-1/2	Piston with Rings, .0625 Oversize.....	1
AE 243 RT	3	Piston with Rings.....	2
AE 244 RT	3	Piston with Rings, .0625 Oversize.....	2
AE 245 RT	6	Piston with Rings.....	3
AE 246 RT	6	Piston with Rings, .0625 Oversize.....	3
AE 253 RT	1-1/2	Ring, Piston (Set of Three).....	1
AE 254 RT	1-1/2	Ring, Piston (Set of Three) .0625 Oversize.....	1
AE 255 RT	3	Ring, Piston (Set of Three).....	2
AE 256 RT	3	Ring, Piston (Set of Three) .0625 Oversize.....	2
AE 257 RT	6	Ring, Piston (Set of Three).....	3
AE 258 RT	6	Ring, Piston (Set of Three) .0625 Oversize.....	3
AE 260 RT	1-1/2	Bushing, Piston Pin (Substitute for E2075 R).....	1
AE 261 RT	3	Bushing, Piston Pin (Substitute for E2076 R).....	2
AE 262 RT	6	Bushing, Piston Pin (Substitute for E2011 R).....	3
E 2032 RT	6	Shim, Connecting Rod, Thin.....	3
E 2036 RT	6	Shim, Connecting Rod, Medium.....	3
E 2038 RT	6	Shim, Connecting Rod, Thick.....	3
E 2169 RT	1-1/2	Pin, Piston.....	1
E 2197 RT	1-1/2	Shim, Connecting Rod, Thick.....	1
E 2199 RT	1-1/2	Shim, Connecting Rod, Medium.....	1
E 2231 RT	3	Shim, Connecting Rod, Thick.....	2
E 2246 RT	3	Shim, Connecting Rod, Medium.....	2
E 2259 RT	1-1/2	Shim, Connecting Rod, Thin.....	1
E 2271 RT	3	Shim, Connecting Rod, Thin.....	2
K 2024 RT	3-6	Pin, Piston Pin Bushing (Used on 3-H. P. Prior to Serial No. 240087).....	2
K 2117 RT	3	Pin, Piston.....	2
K 2185 RT	6	Pin, Piston.....	3
EXHAUST ROD			
E 17 RT	6	Lever, Exhaust.....	3
E 81 RT	3	Lever, Exhaust.....	2
E 106 RT	1-1/2	Lever, Exhaust.....	1
E 2023 RT	6	Spring, Exhaust Lever.....	3
E 2046 RT	6	Pin, Exhaust Lever Pivot.....	3
E 2048 RT	6	Pin, Exhaust Lever to Rod.....	3
E 2051 RT	6	Rod, Exhaust.....	3
E 2165 RT	1-1/2	Rod, Exhaust.....	1
E 2205 RT	1-1/2-3	Pin, Exhaust Lever to Rod.....	5
E 2224 RT	3	Rod, Exhaust.....	2
E 2292 RT	1-1/2-3	Spring, Exhaust Lever.....	5
E 2293 RT	1-1/2-3	Cap Screw, Special Exhaust Lever.....	5
E 2302 RT	1-1/2-3-6	Oiler Cup.....	5
K 2010 RT	1-1/2-3	Screw, Exhaust Lever Adjusting.....	1
K 2142 RT	6	Screw, Exhaust Lever Adjusting.....	3
GOVERNOR			
1450 R	1-1/2-3-6	Pipe Plug, in Lower Hook-Up Lever Shaft Hole.....	5
AE 24 RT	1-1/2	Lever, Hook-Up, E66 R, with Plate.....	1
AE 66 RT	3	Lever, Hook-Up, E85 R, with Plate.....	2
AE 162 RT	6	Lever, Hook-Up, E20 R, with Plate.....	4
AE 232 RT	1-1/2	Plunger, Governor with Oil Slinger (After Serial No. 326571).....	5
D 469 R	1-1/2-3-6	Welsh Plug, Top of Hook-Up Lever Shaft (1-1/2- and 3- H. P. After Serial No. 265811).....	5
E 8 RT	6	Gear, Camshaft.....	4
E 9 RT	6	Camshaft.....	4
E 18 RT	6	Shaft, Governor.....	4

JOHN DEERE MODELS "E", "EK", AND "EP" ENGINES

5

For Models "EK" and "EP" Engine repair parts first see pages 9, 10, 11, and 12.

Part Number	H. P. Size	NAME AND DESCRIPTION	Plate No.
GOVERNOR—Continued			
E 19 RT	6	Cover, Governor	4
E 56 RT	1-1/2-3	Shaft, Governor	5
E 61 RT	1-1/2	Cover, Governor	1
E 62 RT	1-1/2	Gear, Camshaft	1
E 80 RT	3	Gear, Camshaft	2
E 84 RT	3	Cover, Governor	2
E 102 RT	1-1/2-3	Camshaft	2
E 109 RT	1-1/2-3-6	Weight, Governor (Used on 1-1/2 Prior to Serial No. 326572)	5
E 133 RT	1-1/2	Weight, Governor (After Serial No. 326571)	5
E 1979 RT	6	Key, Camshaft Gear (After Serial No. 265316) (No Cut)	5
E 2018 RT	6	Gasket, Governor Cover	4
E 2024 RT	6	Plunger, Governor	4
E 2042 RT	6	Shaft, Hook-Up Lever	4
E 2043 RT	6	Bushing, Camshaft	4
E 2044 RT	6	Bushing, Governor Shaft	4
E 2055 RT	6	Cam Follower	4
E 2128 RT	1-1/2-3	Gasket, Hook-Up Lever Shaft Hole (Prior to Serial No. 265812)	5
E 2171 RT	1-1/2	Shaft, Hook-Up Lever	1
E 2175 RT	1-1/2-3-6	Screw, Hook-Up Lever Adjusting	5
E 2176 RT	1-1/2-3-6	Screw, Speed Change	5
E 2184 RT	1-1/2	Gasket, Governor Cover	1
E 2189 R	1-1/2-3-6	Washer, Governor Thrust	5
E 2203 RT	1-1/2-3	Bushing, Governor and Camshaft	5
E 2206 RT	1-1/2-3	Plunger, Governor (Used on 1-1/2 Prior to Serial No. 326572)	5
E 2207 R	1-1/2-3-6	Key, Camshaft Gear (Used on 6-H. P. Prior to Serial No. 265317)	5
E 2220 RT	1-1/2-3-6	Washer, Packing, Speed Change Nut	5
E 2223 RT	3	Shaft, Hook-Up Lever	2
E 2225 RT	3-6	Shaft, Cam Follower	2
E 2248 RT	3	Gasket, Governor Cover	2
E 2260 RT	1-1/2-3	Cam Follower	5
E 2262 RT	1-1/2	Shaft, Cam Follower	1
E 2266 RT	1-1/2-3-6	Nut, Speed Change	5
E 2272 RT	3	Spring, Cam Follower Spacer	5
E 2295 RT	1-1/2-3-6	Spring, Governor Plunger	5
E 2296 RT	1-1/2-3-6	Spring, Speed Change	5
K 2342 RT	1-1/2-3-6	Plate, Hook-Up Lever	5
MIXER			
321 R	6	Gasket, Mixer to Cylinder Head	4
AE 35 RT	1-1/2-3	Valve, Needle	5
AE 160 RT	6	Valve, Needle	4
E 12 RT	6	Body, Mixer	4
E 89 RT	3	Body, Mixer	3
E 2029 RT	6	Seat, Needle Valve	4
E 2160 RT	1-1/2-3	Seat, Needle Valve	5
E 2250 RT	3	Gasket, Mixer to Cylinder Head	3
E 2269 RT	1-1/2-3	Air Shutter	5
K 2396 RT	1-1/2-3-6	Spring, Air Shutter	5
K 2452 RT	6	Air Shutter	4
K 2480 RT	1-1/2-3-6	Spring, Needle Valve	5
FUEL SYSTEM			
1417 RT	1-1/2-3-6	Pipe, Oil Drain (No Cut)	1
AE 16 RT	1-1/2	Top, Fuel Tank, with Oil Pan (Prior to Serial No. 326571)	1
AE 17 RT	1-1/2	Tank, Fuel, with Drain Plug	2
AE 58 RT	3	Top, Fuel Tank, with Oil Pan	2
AE 59 RT	3	Tank, Fuel, with Drain Plug	3
AE 102 RT	3	Fuel Line, Complete	1
AE 105 RT	1-1/2	Fuel Line, Complete	1
AE 120 RT	1-1/2-3-6	Check Valve Body with Strainer	5
AE 149 RT	6	Top, Fuel Tank, with Oil Pan	4
AE 167 RT	6	Fuel Line, Complete	4
AE 169 RT	6	Tank, Fuel, with Drain Plug	4
AE 230 RT	1-1/2	Top, Fuel Tank, with Oil Pan (After Serial No. 326571)	1
AE 379 RT	1-1/2-3-6	Gland, with Bushing and Nut, for Fuel Line (No Cut)	1
D 345 RT	1-1/2-3-6	Pipe Cap, on Oil Drain Pipe (No Cut)	1
E 97 RT	1-1/2-3-6	Pipe Plug, Oil Filler, and Fuel Filler (No Cut)	1
E 2056 RT	1-1/2-3-6	Flange, Fuel Drain (1-1/2-H. P. After Serial No. 260423, 3-H. P. After Serial No. 252844)	7

JOHN DEERE MODELS "E", "EK", AND "EP" ENGINES

For Models "EK" and "EP" Engine repair parts first see pages 9, 10, 11, and 12.

Part Number	H. P. Size	NAME AND DESCRIPTION	Plate No.
FUEL SYSTEM—Continued			
E 2252 RT	1-1/2-3-6	Bushing, Fuel Line.....	5
E 2257 RT	1-1/2-3	Flange, Fuel Drain (1-1/2-H. P. Prior to Serial No. 250423, 3-H. P. Prior to Serial No. 252844).....	5
E 2304 RT	1-1/2-3-6	Check, Gas Valve.....	5
K 2457 RT	1-1/2-3-6	Nut, Compression, Fuel Pipe Cylinder Bushing.....	5
L 1151 T	1-1/2-3-6	Plug, Fuel Tank Drain (No Cut).....	
ENGINE PARTS			
2532 R	3	Washer, on Water Hopper, Cover Latch.....	3
AE 30 RT	1-1/2	Flywheel, E47 R, with Crank.....	1
AE 69 RT	3	Flywheel, E110 R, with Crank.....	2
AE 70 RT	1-1/2-3	Muffler.....	5
AE 80 RT	1-1/2-3	Crankshaft Extension.....	7
AE 139 RT	6	Muffler.....	3
AE 164 RT	6	Flywheel, E1 R, with Crank.....	4
AE 170 RT	6	Crankshaft Extension.....	4
E 11 RT	6	Flywheel, Pulley Side.....	4
E 46 RT	1-1/2	Flywheel, Pulley Side.....	1
E 65 RT	1-1/2	Spacer, Flywheel.....	1
E 83 RT	3	Spacer, Flywheel.....	2
E 111 RT	3	Flywheel, Pulley Side.....	2
E 191 RT	3	Cover, Water Hopper.....	3
E 192 RT	3	Latch, Water Hopper Cover.....	3
E 1988 RT	3	Spring, Water Hopper Cover Latch.....	3
E 2028 RT	6	Skid.....	4
E 2071 RT	1-1/2-3-6	Set Screw, Headless, Crank to Flywheel (1-1/2-H. P. and 3-H. P. After Serial No. 238846).....	5
E 2125 RT	1-1/2-3-6	Funnel.....	7
E 2127 RT	1-1/2-3	Key, Flywheel (Long).....	5
E 2144 RT	1-1/2	Skid.....	1
E 2145 RT	3	Skid.....	2
E 2299 RT	1-1/2-3-6	Crank, Starting, 1/4" Hole.....	5
E 2301 RT	1-1/2-3	Set Screw, Headless, Crank to Flywheel, (Prior to Serial No. 238846).....	5
K 2191 RT	6	Key, Flywheel.....	4
PLAIN PULLEY			
AE 4 RT	1-1/2-3	Pulley, E100 R, 6" x 5" Face, with Bolts.....	8
AE 5 RT	1-1/2-3	Pulley, E98 R, 8" x 5" Face, with Bolts.....	8
AE 6 RT	1-1/2-3	Pulley, E48 R, 10" x 5" Face, with Bolts.....	8
AE 7 RT	1-1/2-3	Pulley, 4-3/4" x 4" Face, with Bolts.....	8
AE 106 RT	1-1/2-3	Pulley, E36 R, 12" x 5" Face, with Bolts.....	8
AE 107 RT	1-1/2-3	Pulley, E37 R, 14" x 5" Face, with Bolts.....	8
AE 108 RT	1-1/2-3	Pulley, E38 R, 16" x 5" Face, with Bolts.....	8
AE 141 RT	6	Pulley, E13 R, 12" x 6", with Set Screw.....	8
AK 455 RT	6	Pulley, K249 R, 20" x 8", with Set Screw.....	8
AK 488 RT	6	Pulley, K291 R, 16" x 8", with Set Screw.....	8
E 2153 RT	1-1/2	Washer, Belt Pulley Reinforcement.....	8
K 2190 RT	6	Key, Belt Pulley.....	8
FRICTION CLUTCH PULLEY			
AE 142 RT	6	Pulley, Friction Clutch, Complete, 12" x 8".....	8
AE 143 RT	6	Pulley, Friction Clutch, Complete, 16" x 8".....	8
AE 200 RT	6	Rim, Pulley, 12" x 8", Friction Clutch.....	8
AK 152 RT	6	Pulley, Friction Clutch, Complete, 20" x 8".....	8
D 136 R	6	Washer on Operating Shaft.....	8
D 186 R	6	Pin, Operating Shaft, 1/4" Rd. x 1/2".....	8
K 276 RT	6	Finger, Clutch.....	8
K 278 RT	6	Guard.....	8
K 280 RT	6	Adjusting Nut.....	8
K 285 RT	6	Rim, Pulley, 16" x 8".....	8
K 286 RT	6	Rim, Pulley, 20" x 8".....	8
K 295 RT	6	Sleeve.....	8
K 297 RT	6	Handwheel.....	8
K 299 RT	6	Collar.....	8
K 2037 RT	6	Grease Cup, No. 0 x 1/4".....	8
K 2190 RT	6	Key, Belt Pulley, 5/8" x 1/2" x 3-3/8".....	8
K 2852 R	6	Pin, Clutch Finger.....	8
K 2853 R	6	Shaft, Clutch Operating.....	8
K 2855 R	6	Key, Collar to Pulley, 1/2" x 1/2" x 13/16".....	8
K 2856 R	6	Set Screw, Headless, 1/4" x 1/2".....	8
K 2858 RT	6	Clutch Facing.....	8

JOHN DEERE MODELS "E", "EK", AND "EP" ENGINES

For Models "EK" and "EP" Engine repair parts first see pages 9, 10, 11, and 12.

Part Number	H. P. Size	NAME AND DESCRIPTION	Plate No.
HAND TRUCK FOR ENGINES			
1716 RT	6	Washer, on Kingpin	8
AE 82 RT	1-1/2-3	Axle, Front, Complete with E45 RT Turntable	8
AE 83 RT	1-1/2-3	Axle, Rear, Complete with E43 RT Rear Bolster	8
AG 54 RT	6	Bolster	8
AG 55 RT	6	Axle, Rear	8
AG 56 RT	6	Axle, Front	8
D 147 R	6	Washer, on Axles	8
E 42 RT	1-1/2-3	Bolster, Front	8
E 43 RT	1-1/2-3	Bolster, Rear	8
E 44 RT	1-1/2-3	Wheel	8
E 45 RT	1-1/2-3	Turntable	8
E 2007 RT	6	Plate, Bolster	8
E 2131 RT	1-1/2-3	Handle	8
E 2133 RT	1-1/2-3	Brace, Rear Axle	8
K 3054 RT	6	Tongue	8
JD 617 E	6	Wheel	8
MAGNETO			
AE 36 RT	1-1/2-3-6	Magneto only	5
C 1197 RT	1-1/2	Felt, Magneto Oil Seal (After Serial No. 326571)	5
E 16 RT	6	Gear, Magneto Drive	5
E 76 RT	1-1/2	Gear, Magneto Drive	5
E 88 RT	3	Gear, Magneto Drive	5
E 2185 RT	1-1/2-3-6	Gasket, Magneto Cover Plate	5
E 2213 RT	1-1/2	Cable, Magneto	5
E 2218 RT	1-1/2-3-6	Plate, Magneto Cover	5
E 2253 RT	3-6	Cable, Magneto	5
MAGNETO PARTS			
1701 R	1-1/2-3-6	Screw, Armature to Shaft (No Cut)	5
B 1093 R	1-1/2-3-6	Screw, Frame End, No. 10-32 x 1/2" (No Cut)	5
E 2302 RT	1-1/2-3-6	Oil Cup	5
HCT	1-1/2-3-6	Frame	5
HKZ	1-1/2-3-6	Key, Drive Shaft	5
HLS	1-1/2-3-6	Nut, Binding Post (Brass)	5
HLW	1-1/2-3-6	Frame End	5
HMT	1-1/2-3-6	Strap, Magnet	5
HSF	1-1/2-3-6	Armature, Complete	5
HSW	1-1/2-3-6	Shaft, Armature Drive	5
HSX-HTA	1-1/2-3-6	Shaft, Armature with Collector Ring (Short)	5
KHM	1-1/2-3-6	Washer, Armature Thrust	5
NYH	1-1/2-3-6	Magnet	5
PGG	1-1/2-3-6	Screw, Magnet Strap	5
PGP	1-1/2-3-6	Collector Brush with Spring	5
PGR	1-1/2-3-6	Ground Brush with Spring	5
PGW	1-1/2-3-6	Binding Post and Brush Holder with HLS	5
IGNITER			
AE 25 RT	1-1/2-3-6	Igniter, Complete	5
AE 38 RT	1-1/2-3-6	Electrode, Movable, with Point	5
AE 88 RT	1-1/2-3-6	Electrode, Stationary, with Point and Nuts	5
AE 134 RT	1-1/2-3-6	Body, Igniter, E108 R, with Pin	5
E 4 RT	6	Bracket, Igniter Trip	5
E 99 RT	1-1/2-3	Bracket, Igniter Trip	5
E 2057 R	1-1/2-3-6	Washer, Stationary Electrode	5
E 2072 RT	1-1/2-3-6	Pin, Igniter Torsion Spring (After Serial No. 238844)	5
E 2163 RT	1-1/2-3-6	Hammer, Igniter	5
E 2227 RT	1-1/2-3-6	Gasket, Igniter	5
E 2234 RT	1-1/2-3-6	Point, Igniter Spark	5
E 2263 RT	1-1/2-3-6	Trip, Igniter	5
E 2268 RT	1-1/2-3-6	Spring, Igniter Trip Finger	5
E 2274 RT	1-1/2-3-6	Anvil, Igniter	5
E 2275 RT	1-1/2-3-6	Pin, Igniter Anvil	5
E 2276 RT	1-1/2-3-6	Spring, Igniter Main	5
E 2282 RT	1-1/2-3-6	Pin, Igniter Trip Finger	5
E 2294 RT	1-1/2-3-6	Spring, Igniter Torsion	5
E 2298 RT	1-1/2-3	Pin, Igniter Torsion Spring (Prior to Serial No. 238845)	5
K 2316 RT	1-1/2-3-6	Mica Washers, Igniter (Set)	5
K 2318 RT	1-1/2-3-6	Terminal, Magneto Cable	5

JOHN DEERE MODELS "E", "EK", AND "EP" ENGINES

For Models "EK" and "EP" Engine repair parts first see pages 9, 10, 11, and 12.

Part Number	H. P. Size	NAME AND DESCRIPTION	Plate No.
BATTERY PARTS			
1708 R	1-1/2-3	Washer, Ground Connection.....	7
AE 109 RT	1-1/2-3	Spacer, Battery.....	7
AE 111 RT	1-1/2-3	Box, Battery.....	7
AE 114 RT	1-1/2-3	Coil Box, with Contact Clips.....	7
E 2068 RT	1-1/2-3	Washer, Coil Box.....	7
E 2097 RT	1-1/2-3	Grommet, in Battery Box.....	7
E 2100 RT	1-1/2-3	Coil.....	7
E 2101 RT	1-1/2-3	Cable, Spark Plug.....	7
E 2102 RT	1-1/2-3	Wire, Coil to Battery.....	7
E 2102 RT	1-1/2-3	Wire, Switch to Timer.....	7
E 2103 RT	1-1/2-3	Wire, Coil to Ground Connection.....	7
E 2104 RT	1-1/2-3	Insulator for Switch.....	7
E 2105 RT	1-1/2-3	Insulator, Battery Box Sides.....	7
E 2106 RT	1-1/2-3	Insulator, Battery Box Bottom.....	7
E 2118 RT	1-1/2-3	Bottom Strip (Wood) Battery Box.....	7
E 2119 RT	1-1/2-3	Support, Battery Box.....	7
E 2120 RT	1-1/2-3	Cover, Battery Box.....	7
K 2318 RT	1-1/2-3	Terminal, Ground Connection.....	5
K 2330 RT	1-1/2-3	Switch.....	7
K 2807 RT	1-1/2-3	Wire, Battery to Switch.....	7
K 2807 RT	1-1/2-3	Battery Connectors.....	7
STATIONARY TIMER			
1708 R	1-1/2-3	Washer under Timer Nut.....	7
AE 115 RT	1-1/2	Bracket, Stationary Timer, E32 R, Complete.....	7
AE 118 RT	3	Bracket, Stationary Timer, E30 R, Complete.....	7
E 2107 RT	1-1/2-3	Point, Timer.....	7
E 2108 RT	1-1/2-3	Cap, Timer Stud.....	7
E 2109 RT	1-1/2-3	Stud, Timer.....	7
K 2316 RT	1-1/2-3	Mica Washers (Set).....	5
MOVABLE TIMER			
AE 116 RT	1-1/2-3	Bracket, Movable Timer, E35 R, Complete.....	7
E 2107 RT	1-1/2-3	Point, Timer.....	7
(BATTERY) ENGINE PARTS			
508 R	1-1/2-3	Spark Plug.....	5
A 1134 R	1-1/2-3	Safety Nipple, Spark Plug.....	7
AE 117 RT	1-1/2	Cover, Crankcase, E33 R, with Oil Guard.....	7
E 29 RT	3	Cover, Crankcase.....	7
E 31 RT	1-1/2-3	Plate, Spark Plug.....	7
E 34 RT	1-1/2-3	Camshaft.....	7
E 2227 RT	1-1/2-3	Gasket, Spark Plug Plate.....	5

JOHN DEERE MODEL "EK" ENGINES

9

Model "EK" Engine parts other than those listed below are same as used for Model "E" Engines.

Part Number	H. P. Size	NAME AND DESCRIPTION	Plate No.
1452 R	1-1/2-3-6	Pipe Plug in Carburetor Body.....	7
2532 R	1-1/2-3-6	Washer, Speed Change Screw (No Cut).....	7
AE 186 RT	1-1/2	Seat, Air Valve, with Pin.....	7
AE 187 RT	1-1/2-3-6	Lever, Throttle, with Pin.....	7
AE 188 RT	1-1/2	Head, Cylinder, with Valves and Springs.....	7
AE 193 RT	3	Seat, Air Valve, with Pin.....	7
AE 198 RT	6	Seat, Air Valve, with Pin.....	7
E 21 RT	3	Bracket, Control Shaft.....	7
E 22 RT	1-1/2	Head, Cylinder.....	7
E 24 RT	1-1/2-3	Lever, Control.....	7
E 25 RT	1-1/2-3-6	Lever, Governor.....	7
E 116 RT	6	Bracket, Control Shaft.....	7
E 120 RT	1-1/2	Body, Carburetor.....	7
E 121 RT	3	Body, Carburetor.....	7
E 122 RT	6	Body, Carburetor.....	7
E 123 RT	6	Lever, Control.....	7
E 1982 RT	1-1/2	Spacer, Control Shaft.....	7
E 1983 RT	1-1/2	Shaft, Control.....	7
E 1984 RT	1-1/2-3-6	Bowl, Carburetor.....	7
E 1985 RT	1-1/2-3-6	Gasket, Drain Valve.....	7
E 1986 RT	1-1/2	Gasket, Body to Cylinder Head.....	7
E 1987 RT	1-1/2-3-6	Spring, Throttle Stem.....	7
E 1988 RT	6	Spring, Air Valve.....	7
E 1989 RT	1-1/2-3	Spring, Air Valve.....	7
E 1991 RT	1-1/2-3-6	Drain Plug with Handle.....	7
E 1992 RT	1-1/2-3-6	Drain Valve.....	7
E 1993 RT	1-1/2-3-6	Staple, Throttle Valve.....	7
E 1994 R	1-1/2-3-6	Body, Solder Bushing, in Carburetor Body.....	7
E 1995 RT	6	Valve, Throttle.....	7
E 1996 RT	3	Valve, Throttle.....	7
E 1997 RT	1-1/2	Valve, Throttle.....	7
E 1998 RT	6	Air Valve.....	7
E 1999 RT	3	Air Valve.....	7
E 2000 RT	1-1/2	Air Valve.....	7
E 2001 RT	6	Shaft, Control.....	7
E 2002 RT	3	Shaft, Control.....	7
E 2003 RT	6	Stem, Throttle.....	7
E 2004 RT	1-1/2-3	Stem, Throttle.....	7
E 2057 R	6	Washer, Air Valve Stem.....	5
K 2480 RT	1-1/2-3-6	Spring, Needle Valve.....	5
S93B	1-1/2-3-6	Screw, Throttle Stem (Schebler Part).....	7

JOHN DEERE MODEL "EP" ENGINES

Model "EP" Engine parts other than those listed below are same as used for 3-H. P. Model "E" Engines.

Part Number	NAME AND DESCRIPTION	Plate No.
1483 R	Elbow, Exhaust.....	3
2532 R	Washer on Water Hopper Cover Latch.....	3
AA2044 R	Spark Plug (Edison-Splitdorf).....	6
AC 600 R	Spark Plug (Champion).....	6
AE 363 RT	Magneto with Gear.....	6
AE 364 RT	Wire, Spark Plug.....	6
AE 365 RT	Head, Cylinder, with Valves and Springs (No Cut).....	3
AE 368 RT	Choke Stem and Head.....	3
AE 369 RT	Air Cleaner.....	3
AE 370 RT	Muffler.....	3
AE 371 RT	Pulley, E187 R, Flanged.....	3
AE 372 RT	Cylinder, with Studs, Main Bearing Caps and Bushings.....	2
E 161 RT	Gasket, Magneto.....	6
E 164 RT	Head, Cylinder.....	2
E 165 RT	Cover, Valve Housing.....	2
E 166 RT	Gasket, Valve Housing Cover.....	2
E 167 RT	Plunger, Valve Release.....	3
E 168 RT	Felt Washer on Valve Release Plunger.....	3
E 168 RT	Felt Washer on Choke Stem.....	3
E 169 RT	Push Rod.....	2
E 170 RT	Tube, Push Rod.....	2
E 171 RT	Gland, Push Rod Tube Packing.....	2
E 172 RT	Spring, Exhaust Lever.....	5
E 173 RT	Packing, Push Rod Tube.....	2
E 174 RT	Bracket, Air Cleaner.....	3
E 175 RT	Felt Washer on Needle Valve.....	3
E 177 RT	Choke Disk.....	3
E 178 RT	Gasket, Air Cleaner.....	3
E 179 RT	Cover, Crankcase.....	2
E 180 RT	Gasket, Crankcase Cover.....	2
E 181 RT	Cap, Ventilator.....	3
E 182 RT	Pipe, Ventilator Drain.....	3
E 183 RT	Washer, Ventilator.....	3
E 184 RT	Gasket, Ventilator Cap.....	3
E 185 RT	Dust Shield, Main Bearing.....	2
E 191 RT	Cover, Water Hopper.....	3
E 192 RT	Latch, Water Hopper Cover.....	3
E 1988 RT	Spring, Water Hopper Cover Latch.....	3
E 1988 RT	Spring, on Valve Release Plunger.....	3
E 2057 R	Washer on Needle Valve.....	3
E 2250 RT	Gasket, Air Cleaner Bracket to Head.....	3
K 2006 RT	Spring, Choke Stem.....	1
K 2525 R	Pipe Plug, Air Cleaner Bracket Drain Hole.....	3
K 3151 RT	Washer on Valve Release Plunger.....	3

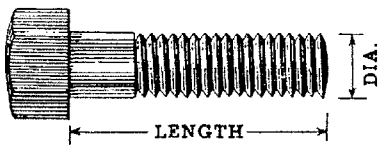
AE363 RT WICO MAGNETO PARTS (USED ONLY ON "EP" ENGINES)

Part Number	NAME AND DESCRIPTION	Magneto Serial Number	Plate No.
16-463	Nut, Lead Wire Clamp (Was AB1209 R)	64628-	6
16-716	Impulse Stop Screw (Was E204 R)	64628-	6
16-738	Screw, Breaker Arm Spring (Was E214 R)	64628-	6
16-738	Screw, Breaker Arm Clamp (Was E214 R)	64628-	6
1117	Screw, Cover (Was B1044 R)	64628-	6
1118	Washer, Cover Screw (Leather) (Was B1045 R)	64628-	6
1152	Oil Scraper (Was B1080 R)	64628-	6
1153	Spring, Oil Scraper (Was 1081 R)	64628-	6
1172	Oil Catcher (Was E229 R)	64628-	6
1194	Cam Oil Pad (Was B1038 R)	64628-	6
1197	Washer, Breaker Arm Spacing (Was B1087 R)	64628-	6
1197T	Washer, Breaker Arm Spacing	64628-	6
1310	Lock Washer, End Plate Screw (Was E201 R)	64628-	6
1325	Snap Ring, Cover Screw (Was E218 R)	64628-	6
1328	Terminal Screw (Was E219 R)	64628-	6
1373	Cam (Was E228 R)	64628-	6
1379	Main Oil Pad (Was E209 R)	64628-	6
1381	Lock Plate, Cam Screw (Was E227 R)	64628-	6
1384	Coil Core Clamp (Was E222 R)	64628-	6
1385	Cover Gasket (Was E217 R)	64628-	6
1397	Coil Contact (Was E221 R)	64628-	6
1418	Spacer, Arm Breaker (Was B1063 R)	64628-	6
1423	Oiler (Was AB1227 R)	64628-	6
1533	Gasket, Condenser Case (Was E216 R)	64628-	6
1543	Impulse Pin (Was E197 R)	64628-	6
1544	Nut, Coil Contact Screw (Was E220 R)	64628-	6
1580	Gasket, Breaker Box Screw (Was E213 R)	64628-	6
1760	Gasket, Coil (Was E224 R)	64628-	6
2072	Gasket, Breaker Box Cover (Was E211 R)	64628-	6
2073	Screw, Breaker Box (Was E212 R)	64628-	6
2074	Cover, Breaker Box (Was E210 R)	64628-	6
2264B	Coil Wedge (Was B1070 R)	64628-	6
A 13X	Tripping Arm (Was E193 R)	64628-	6
A 34X	Drive Spring (Was E199 R)	64628-	6
A 35A	Driven Flange Group (Was AE265 R)	64628-	6
A 72X	Screw, End Plate (Was E200 R)	64628-	6
A 184X	Washer, Impulse Spacing (Was E206 R)	64628-	6
A 243X	Snap Ring, Trip Arm (Was B1076 R)	64628-	6
A 245	End Plate Group (Was AE266 R)	64628-	6
A 246X	Adapter Plate (Was E225 R)	64628-	6
A 314X	Impulse Stop (Was E203 R)	64628-	6
A 344XA	Nut, Impulse Gear (Was E196 R)	64628-	6
A 705 R	Screw, Cam	64628-	6
A 705 R	Screw, Fixed Contact	64628-	6
A 3022 R	Screw, Condenser (Was E215 R or 1383)	64628-	6
B 1083 R	Key, Pinion Gear (Was 1146)	64628-	6
B 1084 R	Key, Impulse Coupling (Was M94 X)	64628-	6
B 1085 R	Washer, Breaker Arm Clamp (Was B1086 R or 1207)	64628-	6
B 1092 R	Screw, Coil Core Clamp (Was M126 XB)	64628-	6
C 1350 R	Lock Washer, Breaker Box Screw	64628-	6
C 1350 R	Lock Washer, Terminal Screw	64628-	6
C 1350 R	Lock Washer, Cam Screw	64628-	6
C 1350 R	Lock Washer, Breaker Arm Clamp Screw	64628-	6
C 1350 R	Lock Washer, Breaker Arm Spring Screw	64628-	6
C 1350 R	Lock Washer, Fixed Contact Screw	64628-	6
C 1350 R	Lock Washer, Coil Core Clamp Screw	64628-	6
D 2003 R	Lock Washer, Condenser Screw	64628-	6
E 195 R	Cotter Key, Impulse Gear (Was 1190)	64628-	6
IVA 487	Oiling Disk (Was E208 R)	64628-	6
IVA 715	Gasket, End Plate (Was E202 R)	64628-	6
IXA 256	Washer, Fixed Contact Screw (Was B1047 R)	64628-	6
IXA 256	Washer, Cover Screw (Was B1047 R)	64628-	6
IXA 862	Washer, Ground Stud Insulating (Inside) (Was E234 R)	64628-	6
M 33X	Washer, Ground Stud (Was E231 R)	64628-	6
M 34X	Bushing, Ground Stud Insulating (Was E233 R)	64628-	6
M 35X	Washer, Ground Stud Insulating (Outside) (Was E232 R)	64628-	6
M 42XC	Washer, Oiling Disk Spacing (Was E207 R)	64628-	6
M 64X	Screw, Adapter Plate (Was E226 R)	64628-	6
M 72X	Nut, Ground Stud (Was E230 R)	64628-	6
M 137X	Lock Washer, Impulse Stop Screw (Was E205 R)	64628-	6
X 1391	Oil Pad Spring Plate Group (Was AE267 R)	64628-	6
X 1407	Cover Assembly with Gasket (Was X2010 or AE-272 R)	64628-	6

12 AE363 RT WICO MAGNETO PARTS (USED ONLY ON "EP" ENGINES)—Continued

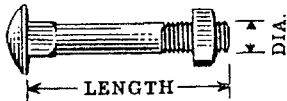
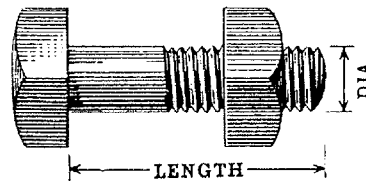
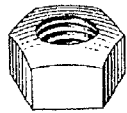
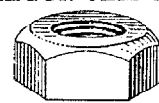
Part Number	NAME AND DESCRIPTION	Magneto Serial Number	Plate No.
X 1413	Condenser Group (Was AE270 R)	64628-	6
X 1596	Ground Stud Group (Was AE277 R)	64628-	6
X 1705	Rotor Assembly (Was AE275 R)	64628-	6
X 2075	Clip, Breaker Box Cover (Was AE268 R)	64628-	6
X 2175	Breaker Box Group (Was AE271 R)	64628-	6
X 2373	Main Housing (Was AE276 R)	64628-	6
X 2399	Impulse Gear with Pin (Was AE264 R)	64628-	6
X 2706	Coil Core (Was AH769 R)	64628-	6
X 2766	Coil Unit (Was AH768 R)	64628-	6
X 3343	Breaker Point Assembly (Was 1196 and X1408) (No Cut)	64628-	6

HARDWARE LIST FOR MODELS "E", "EK", AND "EP" ENGINES

Order Part Number	For Attaching	NAME AND DESCRIPTION	Size	Quantity Used
<p>CAP SCREWS</p> 				
1675 R	AE 25 RT	Igniter to Cylinder Head	7/16"x1"	2
1670 R	AE 29 RT	Crankcase Cover to Case	3/8"x1"	2
E 2290 R	AE 29 RT	Crankcase Cover to Waterpot	3/8"x2-1/2"	1
1671 R	AE 36 RT	Magneto to Crankcase (1-1/2 H. P.)	3/8"x1-1/4"	1
1670 R	AE 36 RT	Magneto to Crankcase (3 H. P. and 6 H. P.)	3/8"x1"	2
1669 R	AE 36 RT	Magneto to Crankcase (1-1/2 H. P.)	3/8"x3/4"	1
1673 R	AE 40 RT	In Connecting Rod	3/8"x2"	2
K 2119 R	AE 75 RT	In Connecting Rod	7/16"x2-1/2"	2
1670 R	AE 115 RT	Stationary Timer Bracket to Crankcase	3/8"x1"	2
1670 R	AE 116 RT	Movable Timer Bracket to Exhaust Rod	3/8"x1"	1
E 2290 R	AE 117 RT	Crankcase Cover to Waterpot	3/8"x2-1/2"	1
1670 R	AE 117 RT	Crankcase Cover to Case	3/8"x1"	2
1670 R	AE 118 RT	Stationary Timer Bracket to Crankcase	3/8"x1"	2
E 2027 R	AE 155 RT	In Connecting Rod	5/8"x3-1/4"	2
1670 R	AE 229 RT	Crankcase Cover to Case	3/8"x1"	2
E 2290 R	AE 229 RT	Crankcase Cover to Waterpot	3/8"x2-1/2"	1
E 2095 R	AE 266 RT	Magneto End Plate to Crankcase Cover	1/4"x1/2"	1
1670 R	AE 363 RT	Magneto to Crankcase	3/8"x1"	2
1670 R	E 4 RT	Igniter Trip Bracket to Exhaust	3/8"x1"	2
1684 R	E 5 RT	Sub-base to Cylinder	1/2"x1-1/2"	1
1685 R	E 5 RT	Sub-base to Cylinder	1/2"x2"	9
1683 R	E 6 RT	Crankcase Cover to Case	1/2"x1-1/4"	4
E 2025 R	E 6 RT	Crankcase Cover to Case	1/2"x3"	1
E 2025 R	E 10 RT	Main Bearing Cap to Case	1/2"x3"	2
1670 R	E 12 RT	Mixer to Cylinder Head	3/8"x1"	2
1666 R	E 21 RT	Control Shaft Bracket to Head	5/16"x3/4"	2
E 2290 R	E 29 RT	Crankcase Cover to Waterpot	3/8"x2-1/2"	1
1670 R	E 29 RT	Crankcase Cover to Case	3/8"x1"	2
1675 R	E 31 RT	Spark Plug Plate to Cylinder Head	7/16"x1"	2
1686 R	E 53 RT	Main Bearing Cap to Case	1/2"x2"	2
1671 R	E 54 RT	Sub-base to Cylinder	3/8"x1-1/4"	1
1670 R	E 79 RT	Crankcase Cover to Case	3/8"x1"	2
E 2290 R	E 79 RT	Crankcase Cover to Waterpot	3/8"x2-1/2"	1
E 2162 RT	E 86 RT	Main Bearing Cap to Case	1/2"x2-1/4"	4
1670 R	E 89 RT	Mixer to Cylinder Head	3/8"x1"	2
1672 R	E 92 RT	Sub-base to Cylinder	3/8"x1-1/2"	1
1670 R	E 99 RT	Igniter Trip Bracket to Exhaust Rod	3/8"x1"	2
1666 R	E 116 RT	Control Shaft Bracket to Head	5/16"x3/4"	2
1670 R	E 120 RT	Carburetor Body to Head	3/8"x1"	2
1670 R	E 121 RT	Carburetor Body to Head	3/8"x1"	2
1670 R	E 122 RT	Carburetor Body to Head	3/8"x1"	2
1670 R	E 174 RT	Air Cleaner Bracket to Cylinder Head	3/8"x1"	2
C 1539 R	E 179 RT	Crankcase Cover to Waterpot	3/8"x3-1/2"	1
1670 R	E 179 RT	Crankcase Cover to Case	3/8"x1"	2
D 2032 R	E 181 RT	Ventilator Cap to Crankcase Cover	5/16"x2"	1

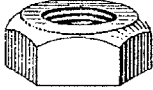
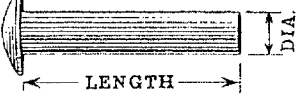

HARDWARE LIST FOR MODELS "E", "EK", AND "EP" ENGINES

Order Part Number	For Attaching	NAME AND DESCRIPTION	Size	Quantity Used
SET SCREWS—SQUARE HEAD—CUP POINT				
1782 R	AE 141 RT	Pulley to Crankshaft Extension	1/2"x1-1/4"	1
1782 R	AK 455 RT	Pulley to Crankshaft Extension	1/2"x1-1/4"	1
1782 R	AK 488 RT	Pulley to Crankshaft Extension	1/2"x1-1/4"	1
D 2381 R	E 24 RT	Governor Control Lever to Control Shaft.....	1/4"x5/8"	1
D 2381 R	E 25 RT	Governor Lever to Control Shaft.....	1/4"x5/8"	1
D 2381 R	E 123 RT	Governor Control Lever to Control Shaft.....	1/4"x5/8"	1
1776 RT	E 2169 RT	Piston Pin to Piston.....	3/8"x1-1/4"	2
1778 R	K 2117 RT	Piston Pin to Piston.....	3/8"x1-3/4"	2
SET SCREW—HEADLESS—CONICAL POINT				
C 979 R	E 164 RT	In Right Side of Cylinder Head (EP only).....	5/16"x5/16"	1
SET SCREW—SQUARE HEAD—DOG POINT				
D 334 R	K 2185 RT	Piston Pin to Piston.....	1/2"x1-3/4"	2
MACHINE SCREWS—ROUND HEAD WITHOUT NUTS				
L 1140 T	AE 111 RT	Battery Box to Spark Plug Plate.....	1/4"x1/2"	1
L 1140 T	AE 186 RT	Air Valve Seat to Carburetor Body.....	1/4"x1/2"	2
L 1140 T	AE 193 RT	Air Valve Seat to Carburetor Body.....	1/4"x1/2"	2
L 1140 T	AE 198 RT	Air Valve Seat to Carburetor Body.....	1/4"x1/2"	2
L 1140 T	AE 266 RT	Magneto Plate to Crankcase Cover.....	1/4"x1/2"	2
L 1217 T	AE 369 RT	Air Cleaner to Bracket.....	1/4"x3/4"	3
L 1216 T	E 19 RT	Governor Cover to Case.....	5/16"x1/2"	6
L 1216 T	E 61 RT	Governor Cover to Case.....	5/16"x1/2"	6
L 1216 T	E 84 RT	Governor Cover to Case.....	5/16"x1/2"	6
L 1217 T	E 165 RT	Valve Housing to Cylinder Head.....	1/4"x3/4"	5
L 1140 T	E 1946 RT	Ventilator Cover to Crankcase Cover.....	1/4"x1/2"	1
L 1140 T	E 2218 RT	Magneto Cover Plate to Crankcase Cover.....	1/4"x1/2"	3
L 1217 T	E 2269 RT	Air Shutter to Mixer.....	1/4"x3/4"	1
L 1217 T	K 2452 RT	Air Shutter to Mixer.....	1/4"x3/4"	1
MACHINE SCREW—CROSS RECESS—ROUND HEAD WITHOUT NUTS				
L 1178 T	AE 370 RT	Muffler Brace to Water Hopper.....	5/16"x3/4"	1
MACHINE SCREW—COUNTERSUNK HEAD WITHOUT NUTS				
1700 R	K 2330 RT	Switch to Battery Box.....	No. 6-32x5/8"	2

Order Part Number	For Attaching	NAME AND DESCRIPTION	Size	Quantity Used
CARRIAGE BOLTS WITH SQUARE NUTS				
				
D 322 R	AE 111 RT	Battery Box to Supports	5/16"x1"	4
E 1980 R	E 2028 RT	Skid to Sub-base	1/4"x6-1/4"	4
E 2089 RT	E 2119 RT	Battery Box Supports to Skids	5/16"x4-1/4"	1
1592 RT	E 2144 RT	Skid to Sub-base	3/8"x4"	4
1592 RT	E 2145 RT	Skid to Sub-base	3/8"x4"	4
MACHINE BOLTS WITH SQUARE NUTS				
				
1616 R	AE 4 RT	Belt Pulley to Flywheel	3/8"x2"	3
1616 R	AE 5 RT	Belt Pulley to Flywheel	3/8"x2"	3
1616 R	AE 6 RT	Belt Pulley to Flywheel	3/8"x2"	3
1620 R	AE 7 RT	Belt Pulley to Flywheel	3/8"x1-1/2"	3
1625 R	AE 170 RT	Extension Shaft to Flywheel	1/2"x2-1/2"	3
1613 R	E 54 RT	Sub-base to Cylinder	3/8"x1-1/4"	5
1616 R	E 92 RT	Sub-base to Cylinder	3/8"x1-3/4"	7
HEXAGON NUTS				
				
1504 R	AE 40 RT	On Connecting Rod Bolts	3/8"	2
1505 R	AE 75 RT	On Connecting Rod Bolts	7/16"	2
1512 R	AE 155 RT	On Connecting Rod Bolts	5/8"	2
1513 R	E 15 RT	Cylinder Head to Cylinder	3/4"	4
1504 R	E 16 RT	Magneto Drive Gear to Magneto	3/8"	1
1504 R	E 76 RT	Magneto Drive Gear to Magneto	3/8"	1
1512 R	E 78 RT	Cylinder Head to Cylinder	5/8"	4
1502 R	E 88 RT	Magneto Drive Gear to Magneto	3/8"	1
1505 R	E 93 RT	Cylinder Head to Cylinder	1/2"	4
1512 R	E 164 RT	Cylinder Head to Cylinder	5/8"	4
1504 R	E 2169 RT	On Piston Pin Set Screw	3/8"	2
1504 R	E 2010 RT	On Exhaust Lever Adjusting Screw	3/8"	1
1504 R	E 2117 RT	On Piston Pin Set Screw	3/8"	2
1506 R	E 2142 RT	On Exhaust Lever Adjusting Screw	1/2"	1
1506 R	K 2185 RT	On Piston Pin Set Screw	1/2"	2
1499 R	K 2330 RT	On Switch to Battery Box Screws	No. 6-32	2
HEXAGON JAM NUTS				
				
L 1110 T	AE 88 RT	Stationary Electrode to Igniter	1/4"	1
L 1110 T	AE 115 RT	On Timer Stud	1/4"	2
L 1110 T	AE 118 RT	On Timer Stud	1/4"	2
D 528 R	AE 368 RT	On Choke Stem	1/4"	1
1215 R	E 9 RT	On Camshaft	3/4"	1
1215 R	E 34 RT	On Camshaft	3/4"	1
1215 R	E 102 RT	On Camshaft	3/4"	1
D 2781 R	E 2175 RT	On Governor Lever Adjusting Screw	1/2"	1
D 2781 R	E 2175 RT	On Hook-Up Lever Adjusting Screw	1/2"	1
E 1990 R	E 2176 RT	On Speed Change Screw (EK only)	No. 10	2
L 1110 T	E 2274 RT	Igniter Anvil to Movable Electrode Shaft	1/4"	1
D 2782 R	E 2293 RT	In Exhaust Lever Cap Screw	5/8"	1
L 1110 T	K 2318 RT	Magneto Cable Terminal Clip to Igniter	1/4"	1

HARDWARE LIST FOR MODELS "E", "EK", AND "EP" ENGINES

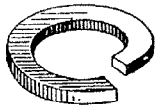
15

Order Part Number	For Attaching	NAME AND DESCRIPTION	Size	Quantity Used
HEXAGON JAM NUTS (LEFT HAND THREAD)				
				
1530 R	E 18 RT	On Governor Shaft.	3/4"	1
1530 R	E 56 RT	On Governor Shaft.	3/4"	1
RIVETS, ROCK ISLAND OVAL HEAD				
				
D 432 R	E 2187 RT	Oil Guard to Crankcase Cover.	1/4"x1/2"	2
RIVETS, COUNTERSUNK HEAD				
				
E 2303 RT	K 2342 RT	Hook-Up Plate to Lever.	3/16"x3/4"	1

CASTINGS SOLD ONLY AS ASSEMBLIES FOR MODELS "E", "EK", AND "EP" ENGINES

Casting Number	H. P. Size	NAME AND DESCRIPTION	Order Part Number	Page No.	Plate No.
E 1 R	6	Flywheel with Crank.....	AE164 RT	6	4
E 2 R	6	Piston with Rings.....	AE245 RT	4	3
E 3 R	6	Connecting Rod with Bearings.....	AE155 RT	4	3
E 7 R	6	Cylinder, with Studs, Main Bearings, Caps and Bushings.....	AE171 RT	3	3
E 13 R	6	Pulley, 12"x6", with Set Screw.....	AE141 RT	6	8
E 20 R	6	Lever, Hook-Up with Plate.....	AE162 RT	4	4
E 23 R	1-1/2-3-6	Lever, Throttle with Pin (EK Engine only).....	AE187 RT	9	7
E 30 R	3	Stationary Timer Bracket, Complete.....	AE118 RT	8	7
E 32 R	1-1/2	Stationary Timer Bracket, Complete.....	AE115 RT	8	7
E 33 R	1-1/2	Cover, Crankcase with Oil Guard.....	AE117 RT	8	7
E 35 R	1-1/2-3	Movable Timer Bracket, Complete.....	AE116 RT	8	7
E 36 R	1-1/2-3	Pulley, 12"x5" Face, with Bolts.....	AE106 RT	6	8
E 37 R	1-1/2-3	Pulley, 14"x5" Face, with Bolts.....	AE107 RT	6	8
E 38 R	1-1/2-3	Pulley, 16"x5" Face, with Bolts.....	AE108 RT	6	8
E 41 R	1-1/2-3	Crankshaft Extension.....	AE 80 RT	6	7
E 47 R	1-1/2	Flywheel with Crank.....	AE 30 RT	6	1
E 48 R	1-1/2-3	Pulley, 10"x5" Face, with Bolts.....	AE 6 RT	6	8
E 49 R	1-1/2	Connecting Rod with Bearings.....	AE 40 RT	4	1
E 50 R	3	Connecting Rod with Bearings.....	AE 75 RT	4	2
E 60 R	1-1/2	Cover, Crankcase, with Oil Guard.....	AE 29 RT	3	1
E 66 R	1-1/2	Lever, Hook-Up, with Plate.....	AE 24 RT	4	1
E 70 R	1-1/2	Piston with Rings.....	AE241 RT	4	1
E 77 R	3	Cylinder, with Studs, Main Bearings, Caps and Bushings.....	AE 86 RT	3	2
E 85 R	3	Lever, Hook-Up with Plate.....	AE 66 RT	4	2
E 91 R	3	Piston with Rings.....	AE243 RT	4	2
E 98 R	1-1/2-3	Pulley, 8" x 5" Face, with Bolts.....	AE 5 RT	6	8
E 100 R	1-1/2-3	Pulley, 6" x 5" Face, with Bolts.....	AE 4 RT	6	8
E 103 R	1-1/2	Cylinder, with Studs, Main Bearings, Caps and Bushings.....	AE 85 RT	3	1
E 108 R	1-1/2-3-6	Body, Igniter with Pin.....	AE134 RT	7	5
E 110 R	3	Flywheel with Crank.....	AE 69 RT	6	2
E 117 R	1-1/2	Seat, Air Valve with Pin (EK Engine only).....	AE186 RT	9	7
E 118 R	3	Seat, Air Valve with Pin (EK Engine only).....	AE193 RT	9	7
E 119 R	6	Seat, Air Valve with Pin (EK Engine only).....	AE198 RT	9	7
E 124 R	1-1/2	Piston, .0625" Oversize.....	AE242 RT	4	1
E 125 R	3	Piston, .0625" Oversize.....	AE244 RT	4	2
E 126 R	6	Piston, .0625" Oversize.....	AE246 RT	4	3
E 127 R	1-1/2	Cover, Crankcase with Oil Guard and Ventilator.....	AE229 RT	3	1
E 163 R	"EP"	Cylinder, with Studs, Main Bearing Caps and Bushing.....	AE372 RT	10	2
E 187 R	"EP"	Pulley, Flanged.....	AE371 RT	10	3
E 2014 R	6	Crankshaft Extension.....	AE170 RT	6	4
K 249 R	6	Pulley, 20" x 8", with Set Screw.....	AK455 RT	6	8
K 291 R	6	Pulley, 16" x 18", with Set Screw.....	AK488 RT	6	8

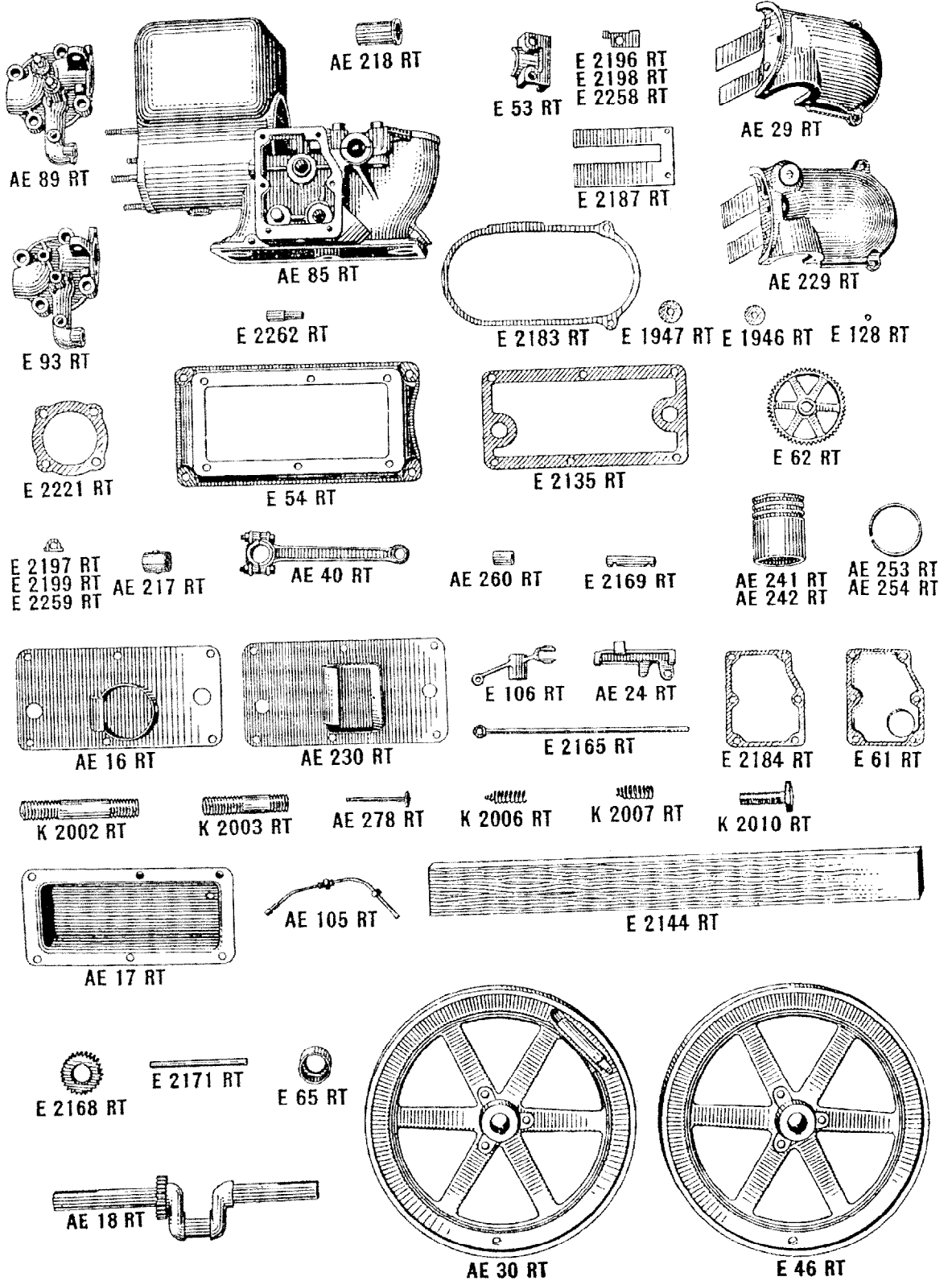
LOCK WASHERS

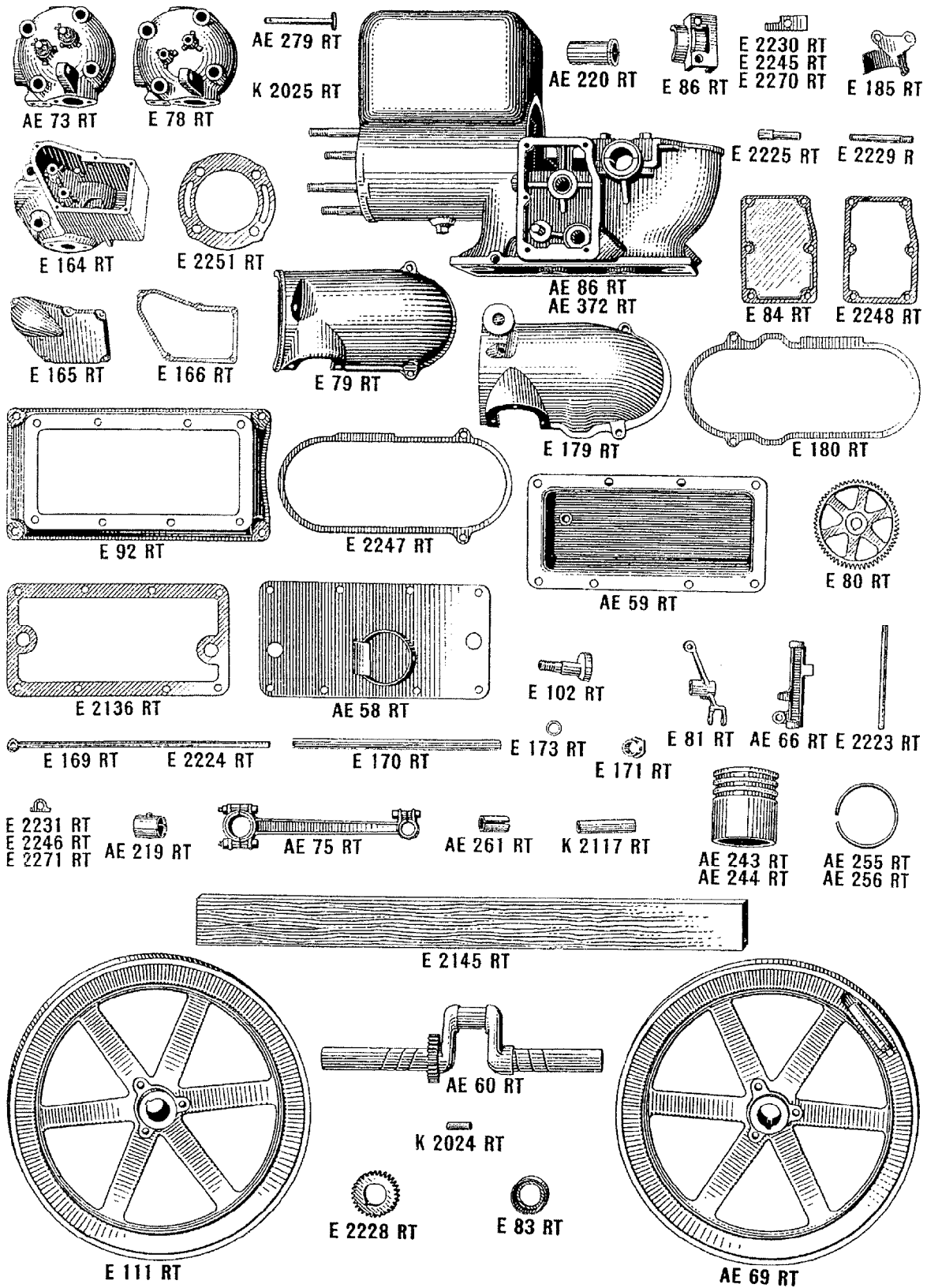


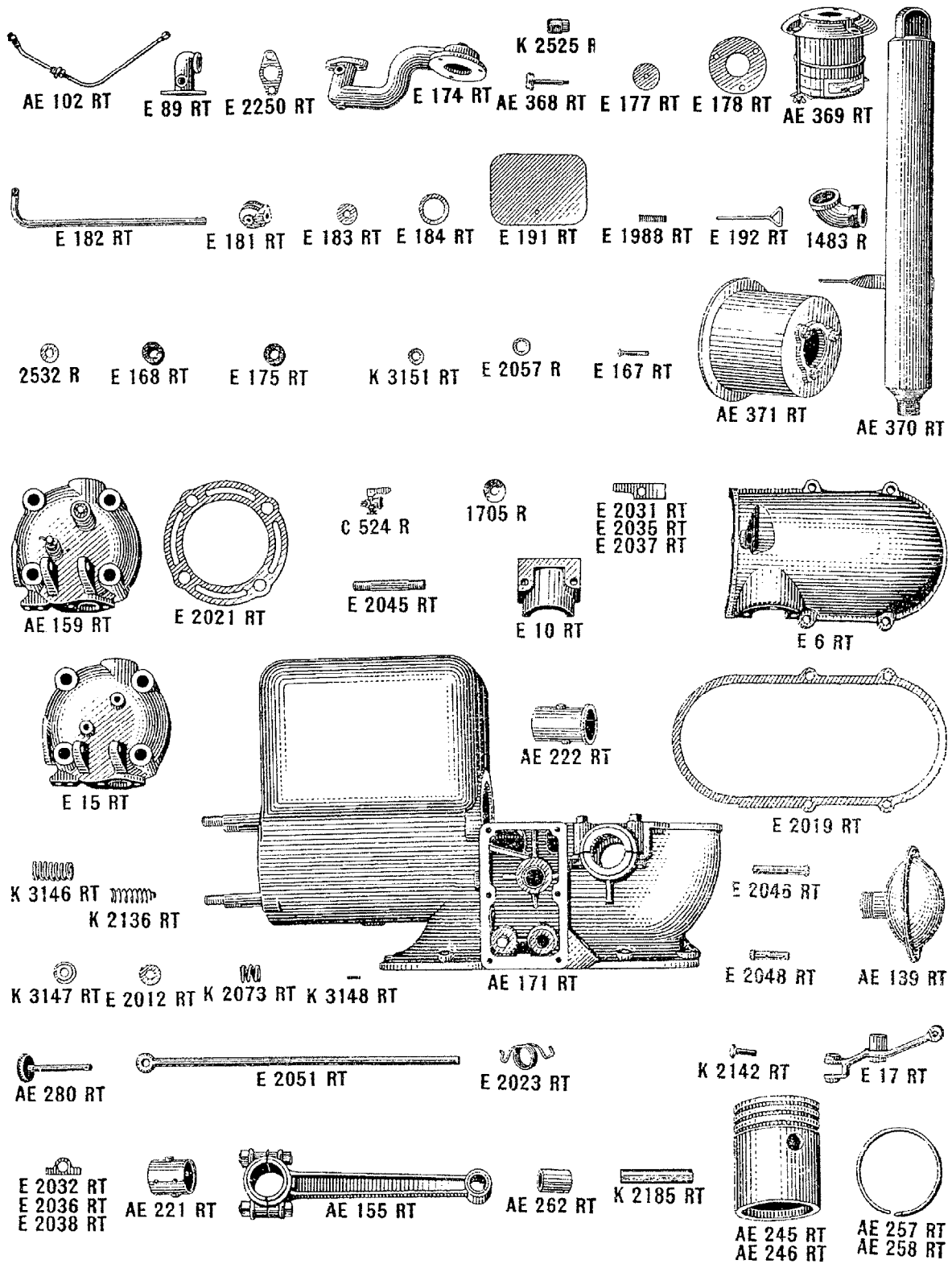
COTTER KEYS

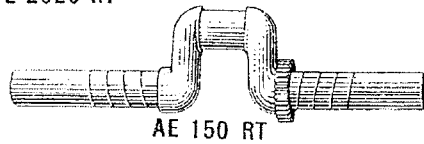
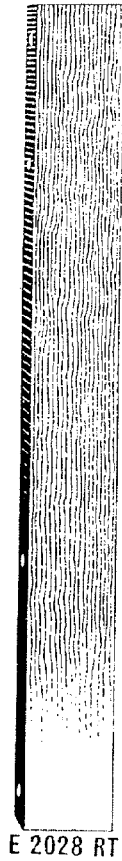
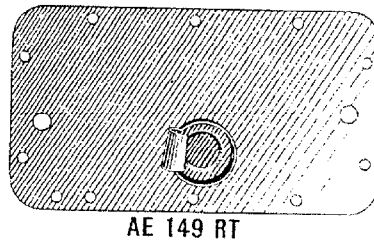
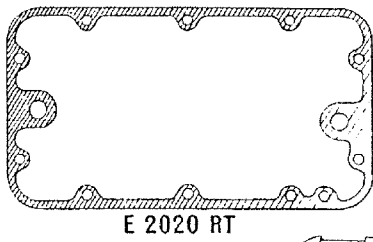
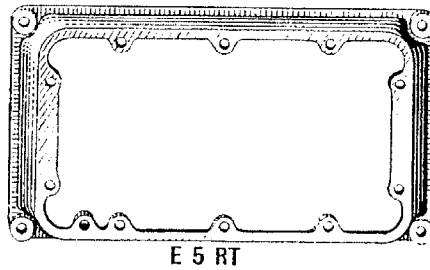
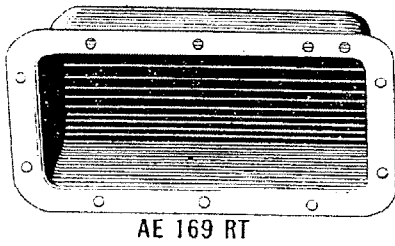
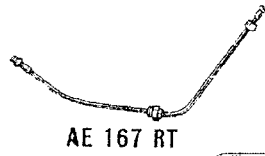
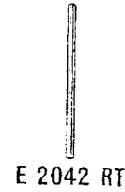
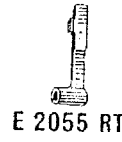
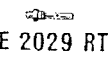
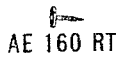
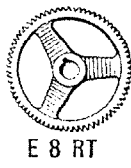
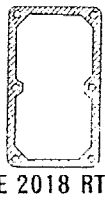
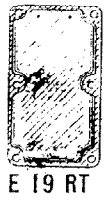


Size	No.	Length	Diameter			
			3/32"	1/8"	3/16"	1/4"
1/4"	1729 R	1/2"	1730 R			
5/16"	1721 R	5/8"	1732 R			
3/8"	1722 R	3/4"	1733 R			
7/16"	1723 R	1"	1741 R			
1/2"	1724 R	1-1/4"	1742 R			
5/8"	1726 R	1-1/2"	1743 R		1745 R	
3/4" Thin	E2126 RT	2"	1748 R			

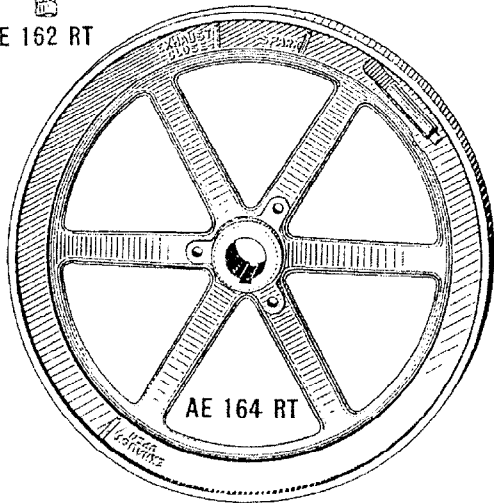




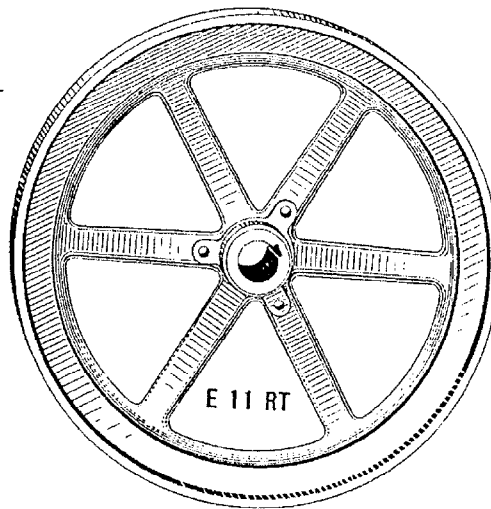


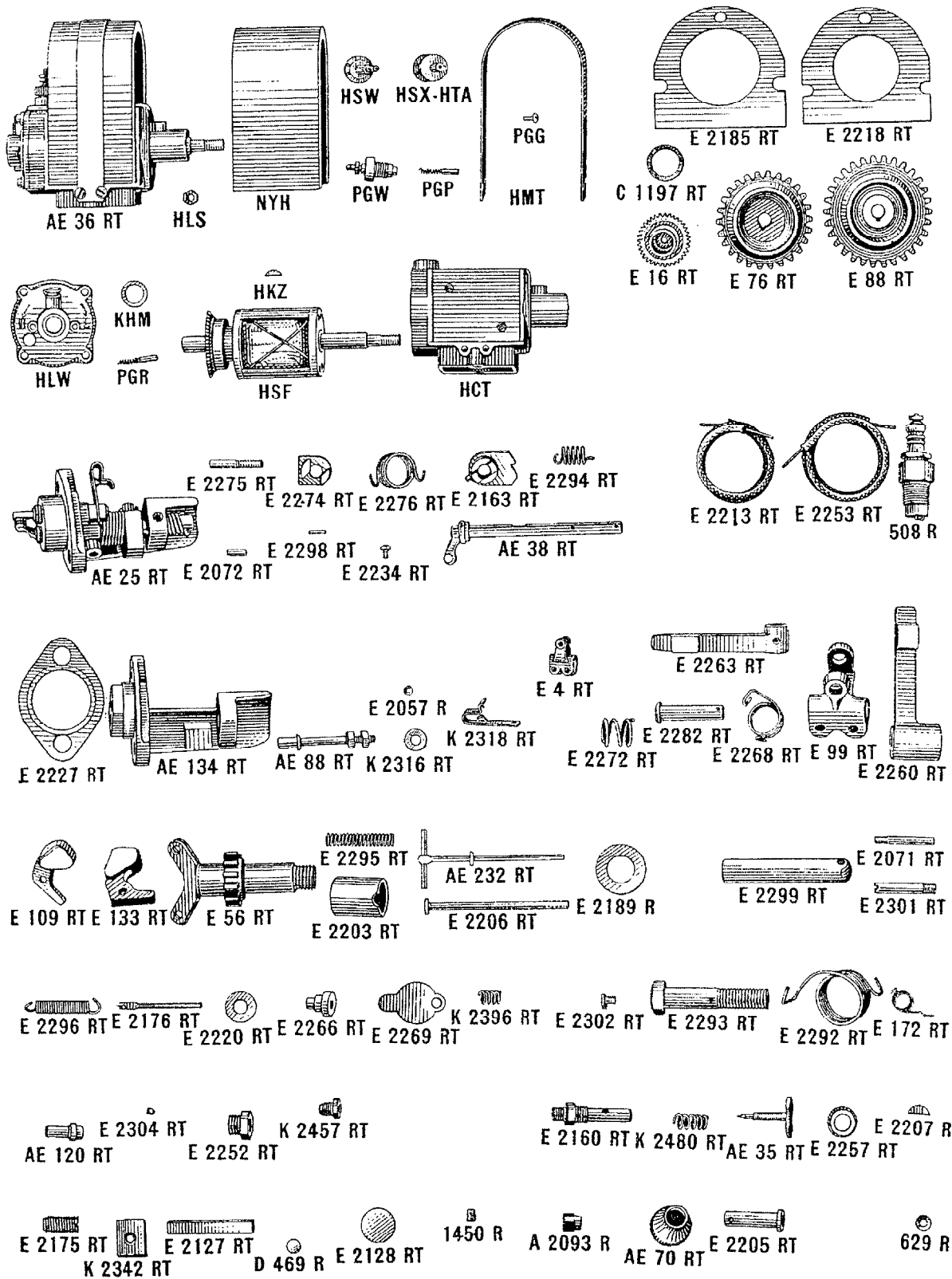


AE 162 RT

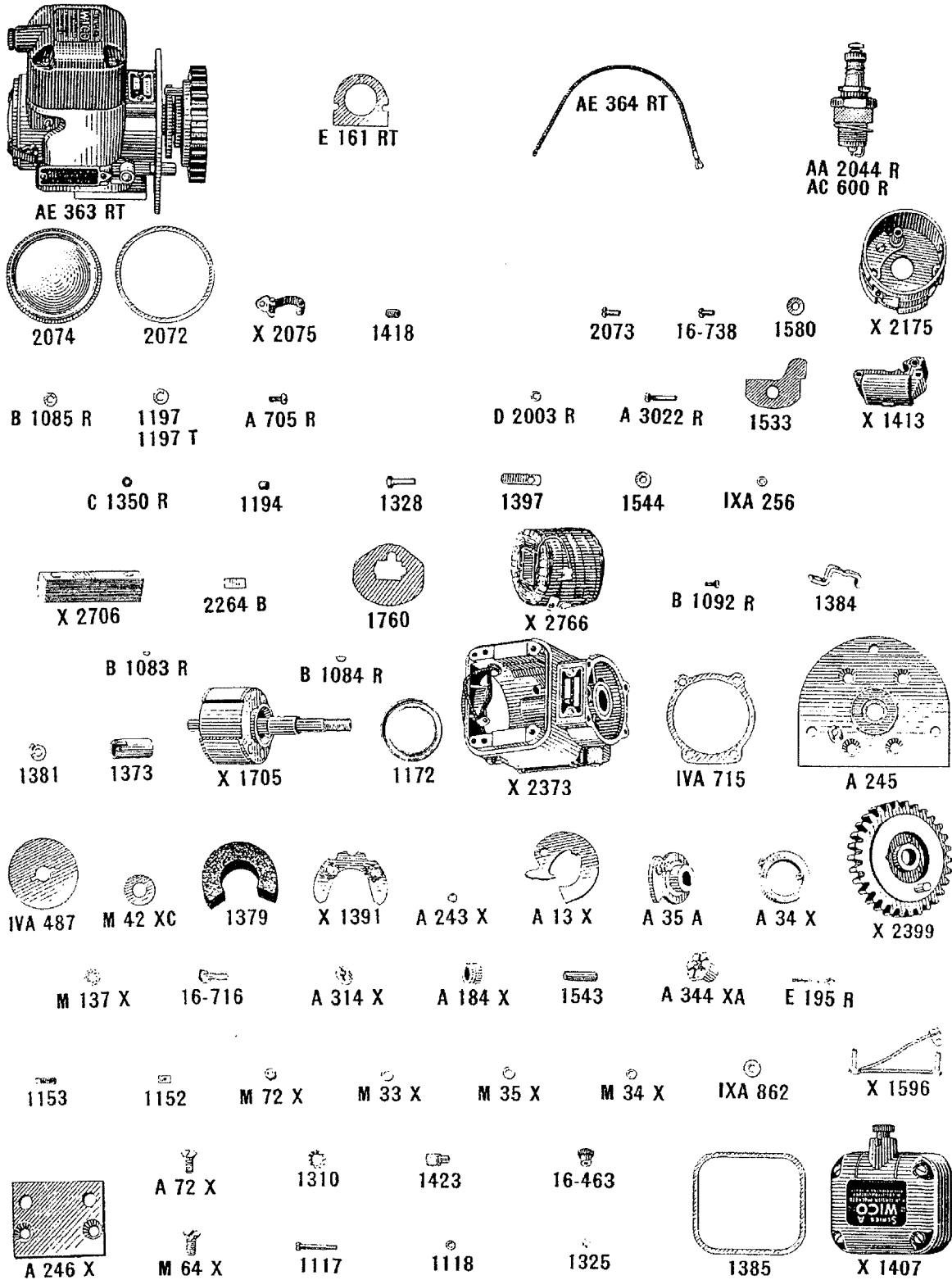


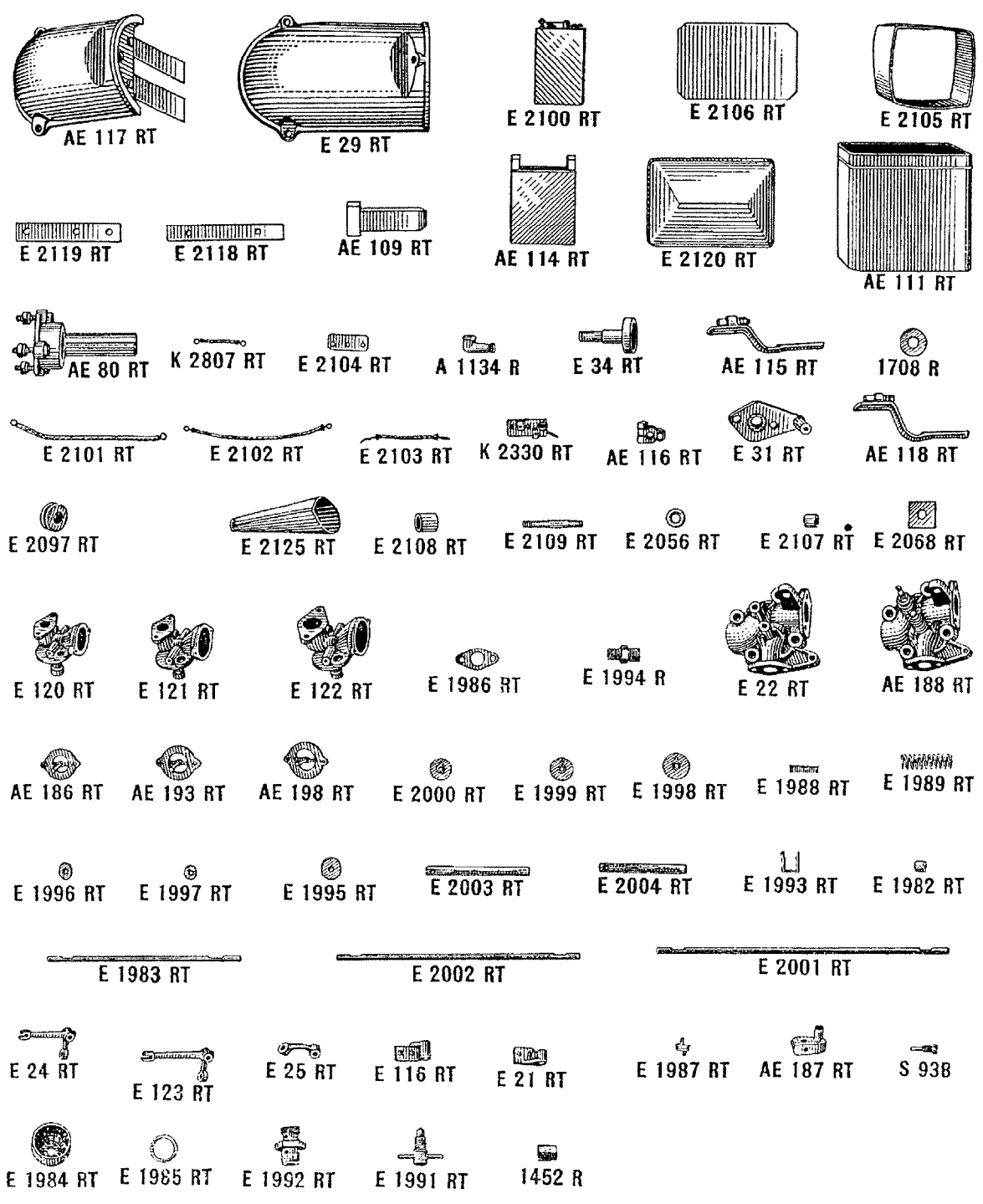
K 2191 RT

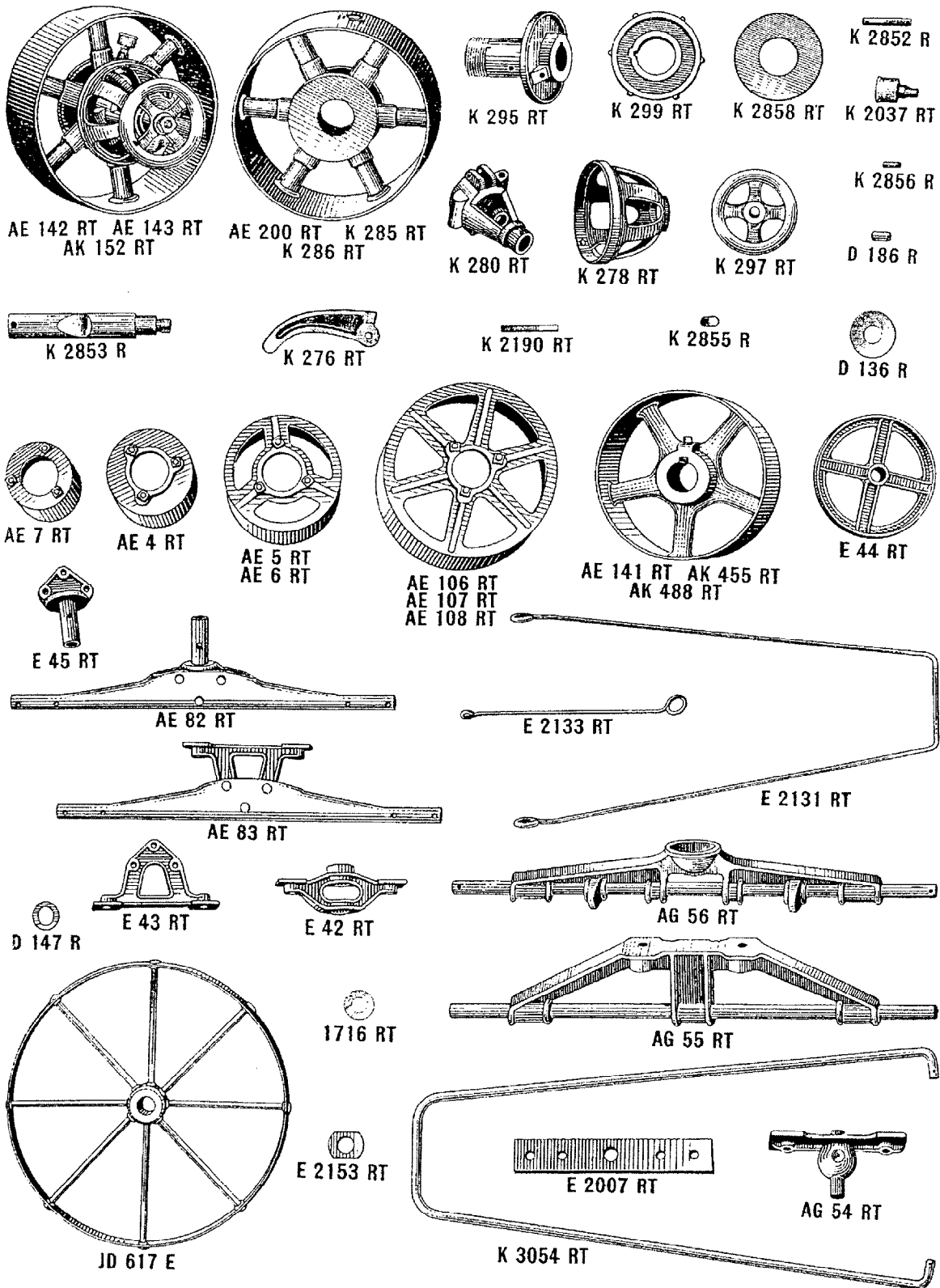




AE 363 R MAGNETO PARTS FOR 3 H. P. MODEL "EP" ENGINES
(SERIAL NUMBER 343975-)







NUMERICAL INDEX FOR JOHN DEERE MODELS "E", "EK",
AND "EP" ENGINES—Continued

Part No.	Page No.	Part No.	Page No.	Part No.	Page No.	Part No.	Page No.	Part No.	Page No.		
E2035 RT	3	E2196 RT	3	JD	7	L	14	1381	11		
E2036 RT	4	E2197 RT	4					1384	11		
E2037 RT	3	E2198 RT	3	JD617 E	7	L1110 T	13	1385	11		
E2038 RT	4	E2199 RT	4	K	16	L1140 T	13	1397	11		
E2042 RT	5	E2203 RT	5			K249 R	16	L1151 T	6	1418	11
E2043 RT	5	E2205 RT	5			K276 RT	6	L1178 T	13	1423	11
E2044 RT	5	E2206 RT	5			K278 RT	6	L1216 T	13	1533	11
E2045 RT	3	E2207 R	4			K280 RT	6	L1217 T	13	1543	11
E2046 RT	4	E2213 RT	7	K285 RT	6	S	9	1544	11		
E2048 RT	4	E2218 RT	7	K286 RT	6			1580	11		
E2049 RT	4	E2220 RT	3	K291 R	16			1760	11		
E2051 RT	4	E2221 RT	3	K295 RT	6			2072	11		
E2055 RT	5	E2222 RT	5	K297 RT	6			2073	11		
E2056 RT	5	E2223 RT	5	K299 RT	6	2074	11				
E2057 R	7	E2224 RT	4	ASSOCIATED MAGNETO PARTS	10	2264B	11				
E2068 RT	8	E2225 RT	5			A13X	11				
E2071 RT	6	E2227 RT	7			A34X	11				
E2072 RT	7	E2228 RT	4			A35A	11				
E2089 RT	14	E2229 R	3			A72X	11				
E2095 R	12	E2230 RT	3	A184X	11						
E2097 RT	8	E2231 RT	4	B1093 R	7						
E2100 RT	8	E2234 RT	3	E2302 RT	7						
E2101 RT	8	E2245 RT	3	HCT	7						
E2102 RT	8	E2246 RT	4	HKZ	7						
E2103 RT	8	E2247 RT	3	HLS	7						
E2104 RT	8	E2248 RT	5	HLW	7						
E2105 RT	8	E2250 RT	5	HMT	7						
E2106 RT	8	E2251 RT	3	HSP	7						
E2107 RT	8	E2252 RT	6	HSW	7						
E2108 RT	8	E2253 RT	7	HSX-HTA	7						
E2109 RT	8	E2257 RT	6	KHM	7						
E2118 RT	8	E2258 RT	3	NYH	7						
E2119 RT	8	E2259 RT	4	PGG	7						
E2120 RT	8	E2260 RT	5	PGP	7						
E2125 RT	6	E2262 RT	5	PGR	7						
E2126 RT	6	E2263 RT	7	PGW	7	1VA715	11				
E2127 RT	5	E2266 RT	5			IXA256	11				
E2128 RT	5	E2268 RT	7			IXA862	11				
E2131 RT	7	E2269 RT	5			M33X	11				
E2133 RT	7	E2270 RT	3			M34X	11				
E2135 RT	3	E2271 RT	4	M35X	11						
E2136 RT	3	E2272 RT	5	M42XC	11						
E2144 RT	6	E2274 RT	5	M64X	11						
E2145 RT	6	E2275 RT	7	M72X	11						
E2152 RT	12	E2276 RT	7	AE363 RT WICO MAGNETO PARTS (Used only on "EP" Engines)	10	M137X	11				
E2153 RT	6	E2282 RT	7			X1391	11				
E2160 RT	5	E2290 R	12			X1407 (X2010)	11				
E2163 RT	7	E2292 RT	4			16-463	11				
E2165 RT	4	E2293 RT	4			16-716	11				
E2168 RT	4	E2294 RT	7	16-738	11						
E2169 RT	4	E2295 RT	5	1117	11						
E2171 RT	5	E2296 RT	5	1118	11						
E2175 RT	5	E2298 RT	7	1152	11						
E2176 RT	5	E2299 RT	6	1153	11						
E2183 RT	3	E2301 RT	6	1172	11						
E2184 RT	5	E2302 RT	7	1194	11						
E2185 RT	7	E2303 RT	15	1197	11						
E2187 RT	3	E2304 RT	6	1197T	11						
E2189 RT	5			1310	11						
				1325	11						
				1328	11						
				1373	11						
				1379	11						