

Important Notice

The manuals contained in this computer file are reproductions from the “Wisconsin Engine” counter catalog, part number “S236”. This manual was last produced in the mid 1980’s.

As with any printed data, the information contained in these manuals may not be the most up-to-date available. It is provided as a convenience to our customers and all information should be verified before making repairs to an engine or component.

All service parts are sold through our Distributor Network. Visit our website (www.wisconsinmotors.com) to locate a distributor near you.



**Wisconsin
Motors, LLC**

Sales Office

2020 Fletcher Creek Drive - Memphis, TN 38133

Phone (901) 371-0353 Toll Free 800-932-2858

www.wisconsinmotors.com

Introduction

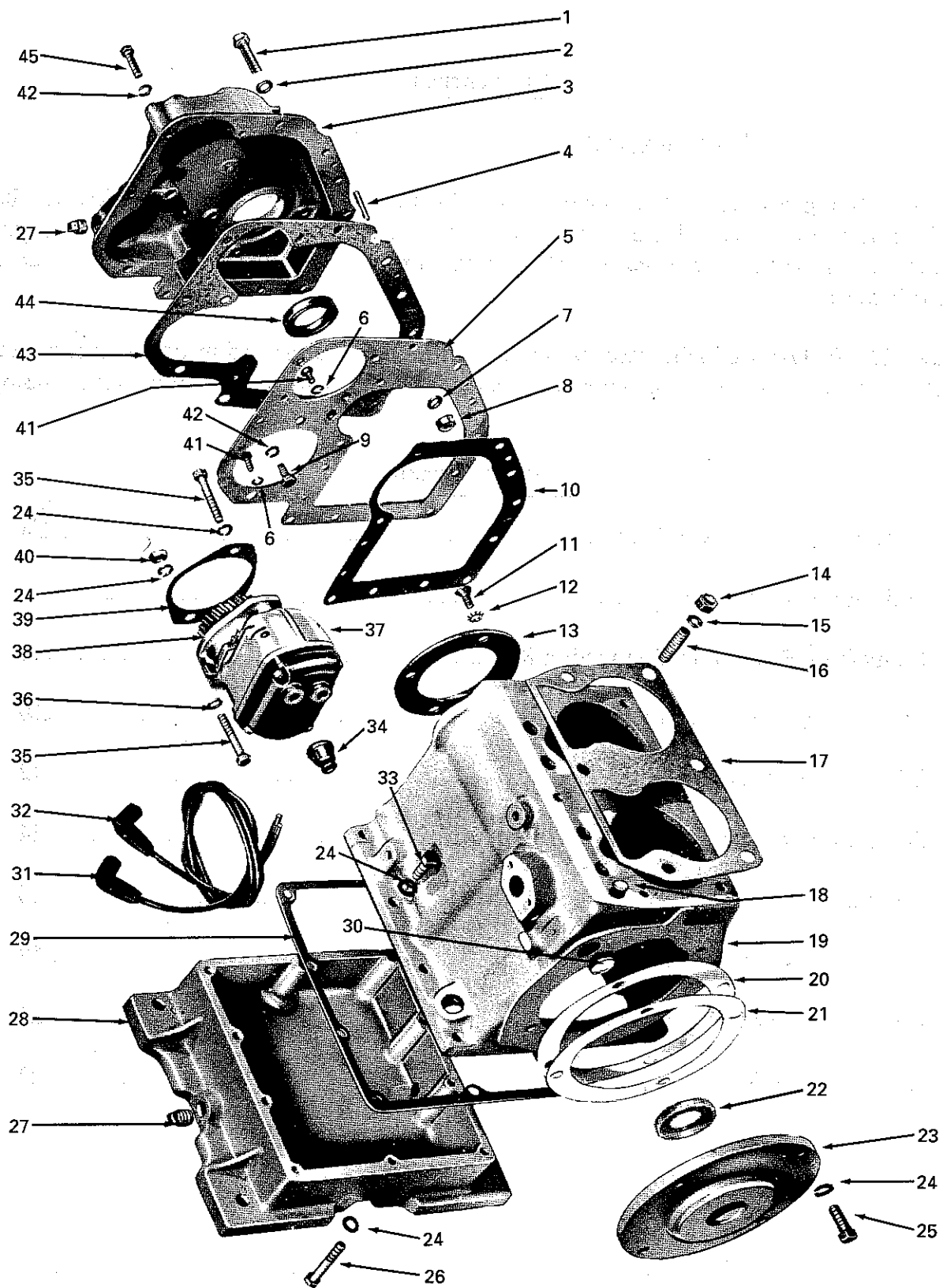
This catalog is designed to identify Wisconsin parts.

When ordering parts, it is always advisable to list the engine model, specification number and serial number. With this information, we can check your order for any incorrect part numbers. Use your Service Parts List to insure proper part number and nomenclature identification.

WIS-CON TOTAL POWER reserves the right to modify, alter and improve engines and parts. Part numbers and the structure of parts may change from those shown in this catalog.

Table of Contents

Crankcase, Gear Cover, Base and Magneto	2-4
Cylinder Block Assembly	6
Crankshaft, Piston and Connecting Rod	8
Carburetor, Manifold and Air Cleaner	10
Oil Pump Assembly	12
Camshaft and Valve Tappet	14
Fuel Pump, Oil Gauge and Oil Spray Nozzle	16
Governor Assembly	18
Air Shrouding and Fuel Tank	20
Engine Gasket Set	22

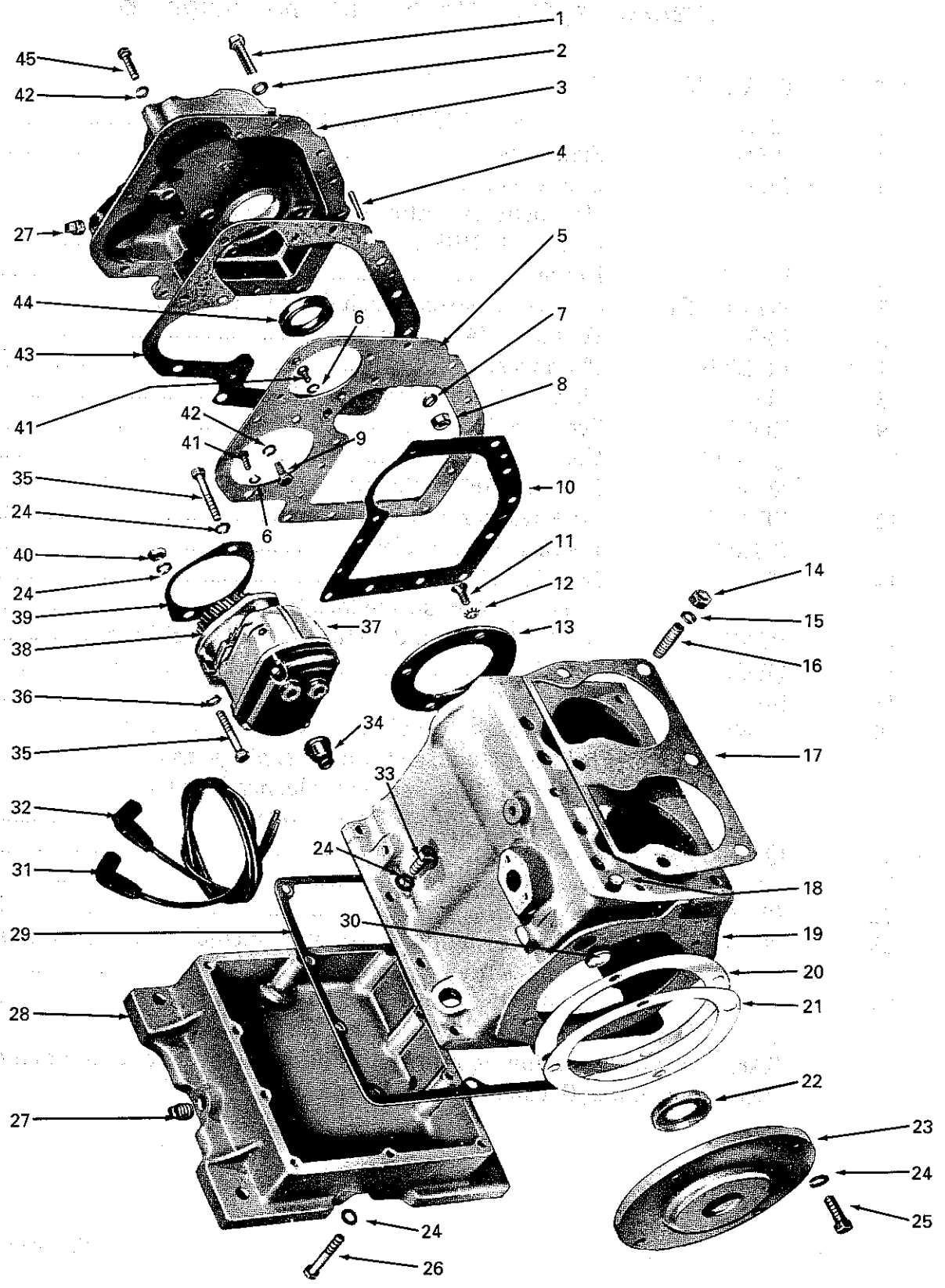


Crankcase, Gear Cover, Base and Magneto

ITEM	PART NO.	DESCRIPTION	QTY
1	XD23	Screw, 5/16"-18 thread x 2" long	1
2	PH14	Plain washer, 5/16"	2
3	BD103GS1	Gear cover assembly (includes item 27; also includes button, seal, plug, shaft; replaces BD103BS1)	1
4	PA291	Dowel pin	2
5	WE293-1S1	Gear cover spacer (includes clinch nut)	1
6	PE3	Washer, 1/4" spring lock	2
7	PH209B	Plain washer, 5/16"	1
8	PD78	Nut, 5/16"-18 thread	1
9	XD14	Screw, 5/16"-18 thread x 5/8" long	1
10	QD661A	Gasket	1
11	XC68	Screw, 5/16"-18 thread x 3/4" long	4
12	PE49	Lock washer, 5/16"	4
13	BG209	Bearing retainer plate	1
14	PD12	Nut, 7/16"-20 thread	6
15	PE6	Washer, 7/16" spring lock (replaces PE63)	6
16	PC615	Stud, 7/16"-14 and 20 thread x 1-11/16" long	6
17	QD617	Gasket	1
18	SA52	Plug, 1/2"	1
19	* BA62	Crankcase assembly (includes item 6, 8, 30; includes studs, lock washers, plugs, gasket, straight fitting, spray nozzle, header tube, cover and screws; replaces BA60)	1
20	QD844	Gasket	4
21	QD845	Gasket	2
22	PH364	Oil seal	1
23	BG349-2S2	Main bearing plate assembly (includes bearing plate, seal, main bearing cup, and cork retainer)	1
24	PE5	Washer, 3/8" spring lock	16

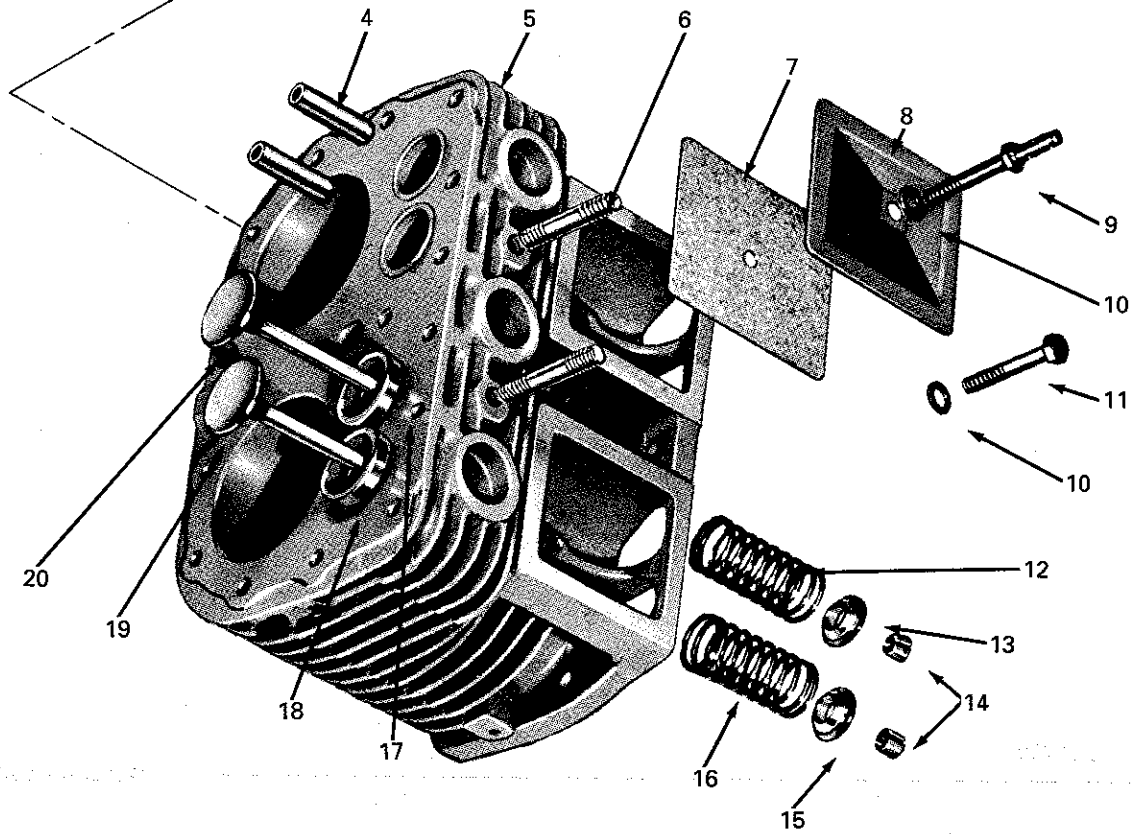
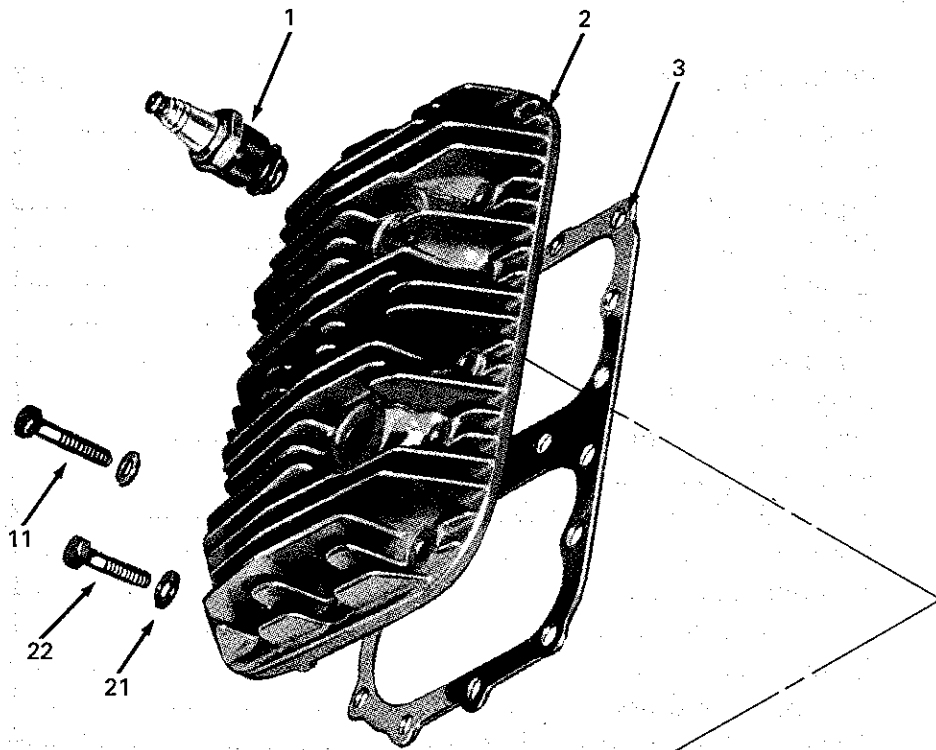
* BA62 is standard machining number. A dash number is added for any special machining (located on marking pad).

continued on page 4



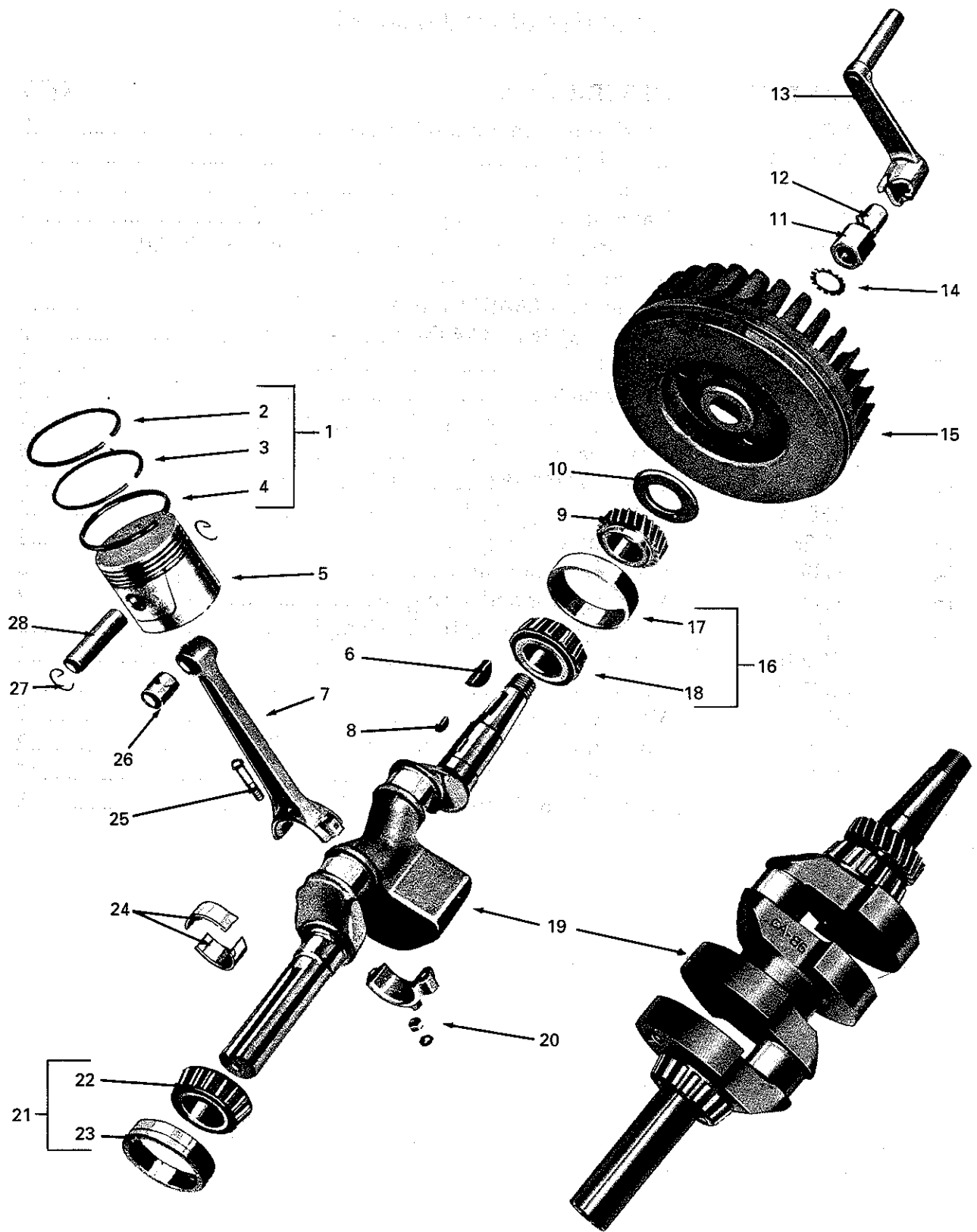
Crankcase, Gear Cover, Base and Magneto (cont.)

ITEM	PART NO.	DESCRIPTION	QTY
25	XD27A	Screw, 3/8"-16 thread x 1"	4
26	XD113	Screw, 3/8" x 2-3/4"	2
27	XK3	Pipe plug, 3/8"	3
28	BB126H	Oil pan and engine base (replaces BB126A)	1
29	QD662B	Gasket	1
30	SA10	Plug, 7/8"	1
31	YL339-22	Magneto ignition cable, no. 2 cylinder	1
32	YL339-26	Magneto ignition cable, no. 1 cylinder	1
33	XD29B	Screw, 3/8"-16 thread x 1-1/4" long	8
34	YD20	Rubber nipple	2
35	XD33	Screw, 3/8"-16 thread x 2-1/4" long	2
36	PH22A	Plain washer, 3/8"	1
37	Y79BS1	Magneto	1
38	GD93C3	Magneto gear	1
39	QD616	Gasket	1
40	PD79	Nut, 3/8"-16 thread	1
41	XD4	Screw, 1/4"-20 thread x 1/2" long	4
42	PE4	Washer, 5/16" spring lock	15
43	QD660	Gasket	1
44	PH299	Crankshaft oil seal	1
45	XD19	Screw, 5/16"-18 thread x 1-1/4" long	8



Cylinder Block Assembly

ITEM	PART NO.	DESCRIPTION	QTY
1	YD6	Spark plug, Champion No. D16J	2
2	AB100B	Cylinder head	1
3	QD613C	Gasket	1
4	AD47	Valve stem guide (replaces AD41E)	4
5	AA86AS30	Cylinder block assembly (includes items 6, 12 - 20; includes guides, valves; replaces AA86AS22 and AA86AS25)	1
6	PC110	Stud, 3/8"-16 and 24 thread x 2-1/8 " long	2
7	QD612A	Gasket	2
8	SA68	Cover plate	2
9	TC530S1	Support pin (replaces TC427B)	1
10	PH14	Plain washer, 5/16"	3
11	XD21	Screw, 5/16"-18 thread x 1-1/2" long	3
12	AF49A	Valve spring, 2-5/16" free length	2
13	AG26	Seat, valve spring	2
14	AH9	Lock, valve spring seat	8
15	AG31	Valve rotator and spring seat	2
16	AF54	Valve spring, 1-13/16" free length	2
17	HG201	Valve seat insert	2
18	HG273D	Valve seat insert	2
19	AE75D	Valve exhaust	2
20	AE75B	Valve inlet (for inlet and exhaust on TH)	2
21	PH77A	Plain washer, 5/16"	17
22	XD19	Screw, 5/16"-18 thread x 1-1/4" long	15

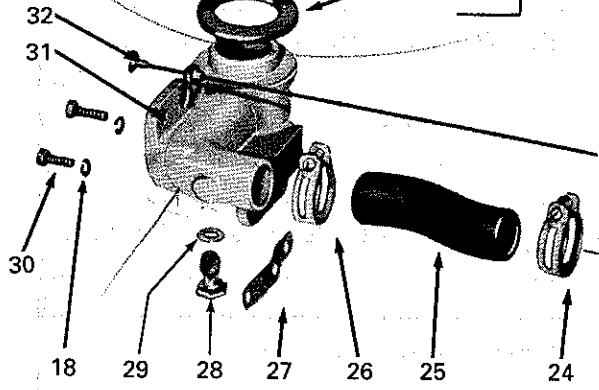
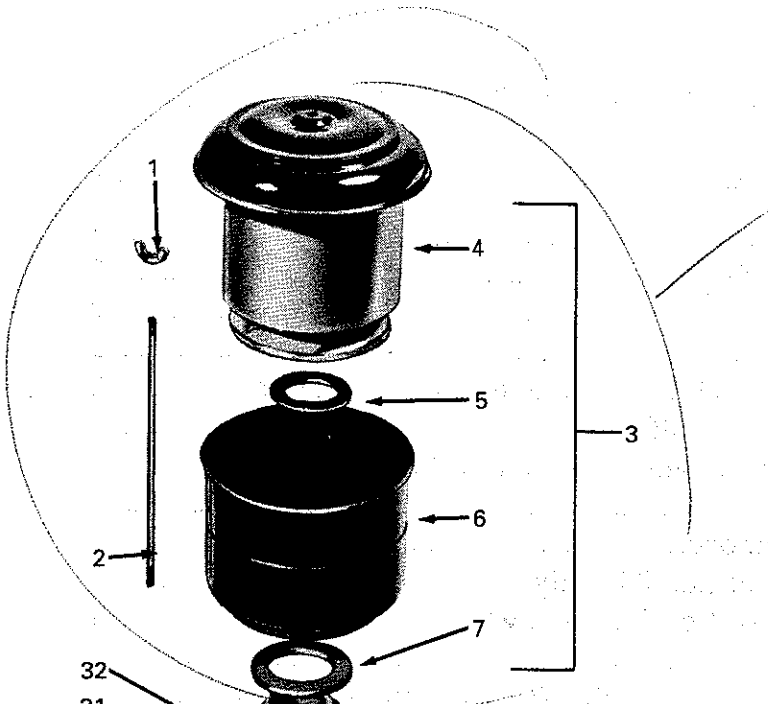


Crankshaft, Piston and Connecting Rod

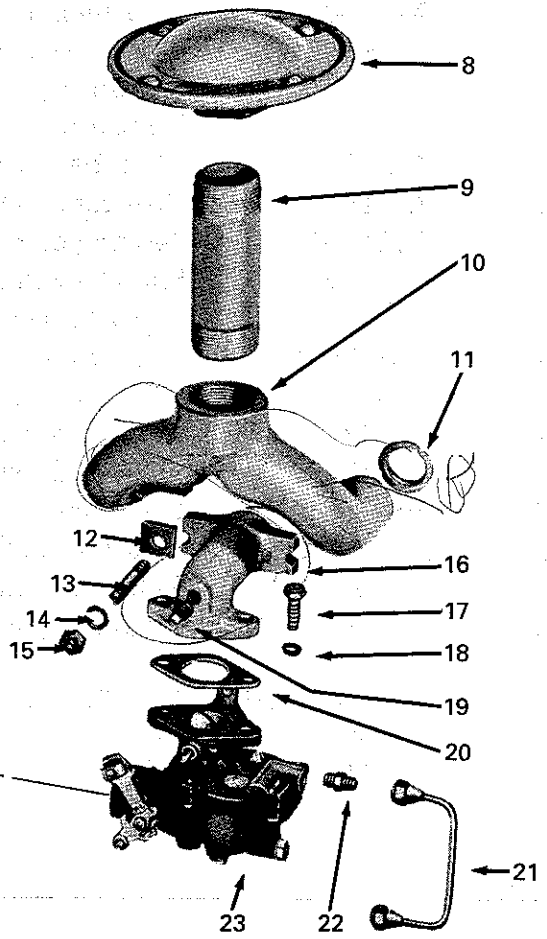
ITEM	PART NO.	DESCRIPTION	QTY
1	* DR63	Ring set.....	1
2	— — —	Compression ring	2
3	— — —	Scraper ring	2
4	— — —	Oil ring	2
5	* DB190B1SP	Piston (replaces DB2103; includes pin and retainer)	2
6	PL83	Key, no. 23 Woodruff	1
7	DA68AS1	Connecting rod assembly (for TH, THD beginning with S/N 5472996)	2
8	PL53	Key, no. 8 Woodruff	1
9	GA36A	Crankshaft gear (for TJD only)	1
	GA36A1	Crankshaft gear (for TH and THD only)	1
10	RK170	Oil sling	1
11	UC75S1 PD137	Starting crank nut assembly (includes item 12) ... N.A.T.	1
12	PA333	Pin	1
13	U212	Starting crank	1
14	PE59	Washer, 1" Everlock	1
15	N102A	Flywheel.....	1
16	ME71	Main bearing assembly, flywheel end(includes items 17 & 18)	1
17	ME69-1	Bearing cup	1
18	ME71-1	Bearing cone	1
19	** CA86S1	Crankshaft assembly (includes 16 and 21; includes crankshaft, gear, key)	1
20	PD246	Lock nut, 5/16"-24 thread	4
21	ME130	Main bearing assembly, take-off end(includes items 22 and 23) ...	1
22	ME130-1	Bearing cone	1
23	ME130-2	Bearing cup	1
24	HA134S	Shell bearing (for TJD; for TH and THD models beginning with S/N 5472996)	2
—	HA134S1	.001" undersize	
—	HA134S2	.002" undersize	
—	HA134S10	.010" undersize	
—	HA134S20	.020" undersize	
25	PB148S1	Connecting rod bolt assembly (includes item 20; includes bolt)	4
26	HG157A	Piston pin bushing	2
27	PK52	Retaining ring	4
28	DE65	Piston pin; also available in .005" & .010" O/S	1

* Also available in .010", .020", & .030" O/S.

** CA86S1 is standard machining number. A dash number is added for any special machining (located on marking pad).



Fitted

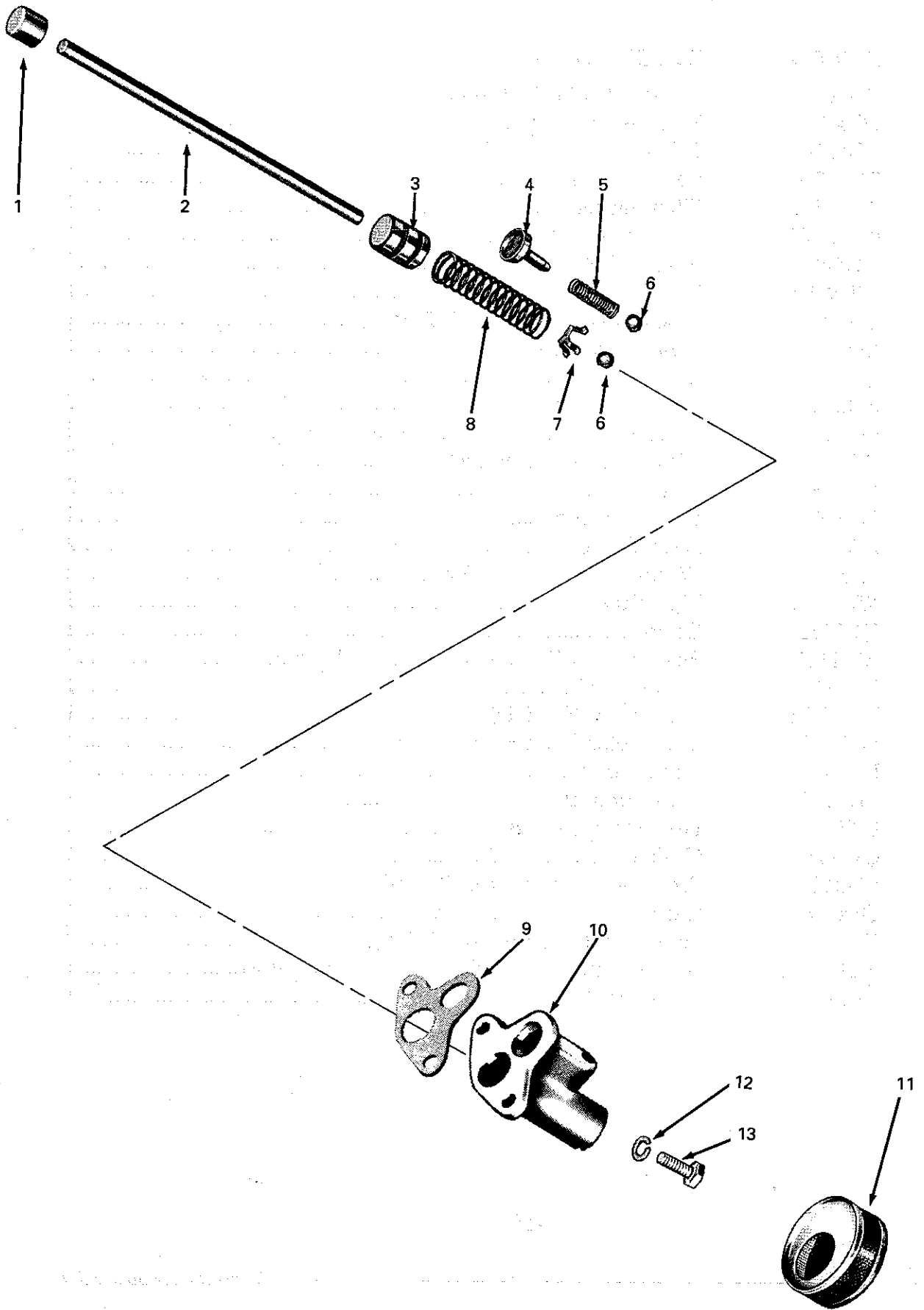


Carburetor, Manifold and Air Cleaner

ITEM	PART NO.	DESCRIPTION	QTY
1	PD147	Wing nut, 1/4"-20 thread	1
2	PC447	Stud, 8-3/8" long	1
3	LO83BS1	Oil bath air cleaner (includes items 4 - 7).....	1
4	81-179B4	Cap and filter unit	1
5	81-615A1	Filter gasket	1
6	81-176B18	Oil cup assembly	1
7	QD540	Base gasket	1
8	WD98S5	Muffler	1
9	LJ192	Pipe nipple, 1-1/4" x 4-1/2" long	1
10	LD242	Exhaust manifold.....	1
11	QB75	Gasket.....	3
12	PH356	Washer, clamp	2
13	PC110	Stud, 3/8"-16 and 24 thread x 2-1/8" long.....	2
14	PE5	Washer, 3/8" spring lock.....	2
15	PD206	Nut, 3/8"-24 thread	2
16	LC266A	Inlet manifold.....	1
17	XD17	Screw, 5/16"-18 thread x 1" long	2
18	PE4	Washer, 5/16" spring lock.....	2
19	XK1	Pipe plug, 1/8"	1
20	QC71A	Gasket.....	1
21	RM1122	Fuel line, 6-1/2" long, pump to carburetor.....	1
22	RF269	Straight fitting	1
23	L63BLS1	Carburetor (for TJD).....	1
	L63CS1	Carburetor (for TH and THD)	1
24	LK10	Hose clamp, 2"	1
25	LL125	Hose connection.....	1
26	LK11	Hose clamp, 1-7/8"	1
27	QD667	Gasket.....	1
28	LO84C	Breather assembly (for TH and THD)	1
29	QD669	Gasket.....	1
30	XD17B	Screw, 5/16"-18 thread x 1" long	2
31	BI286-27S1	Bracket assembly (includes item 2 and plug).....	1
32	VE693	Choke control	1

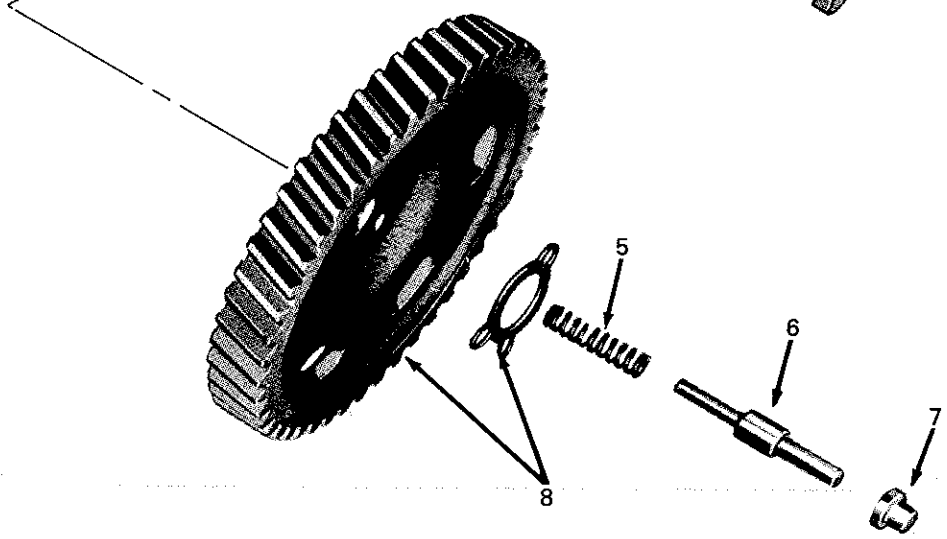
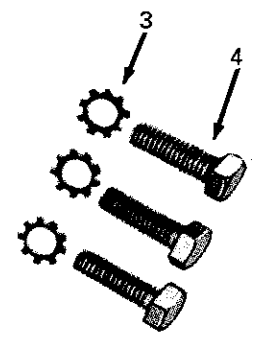
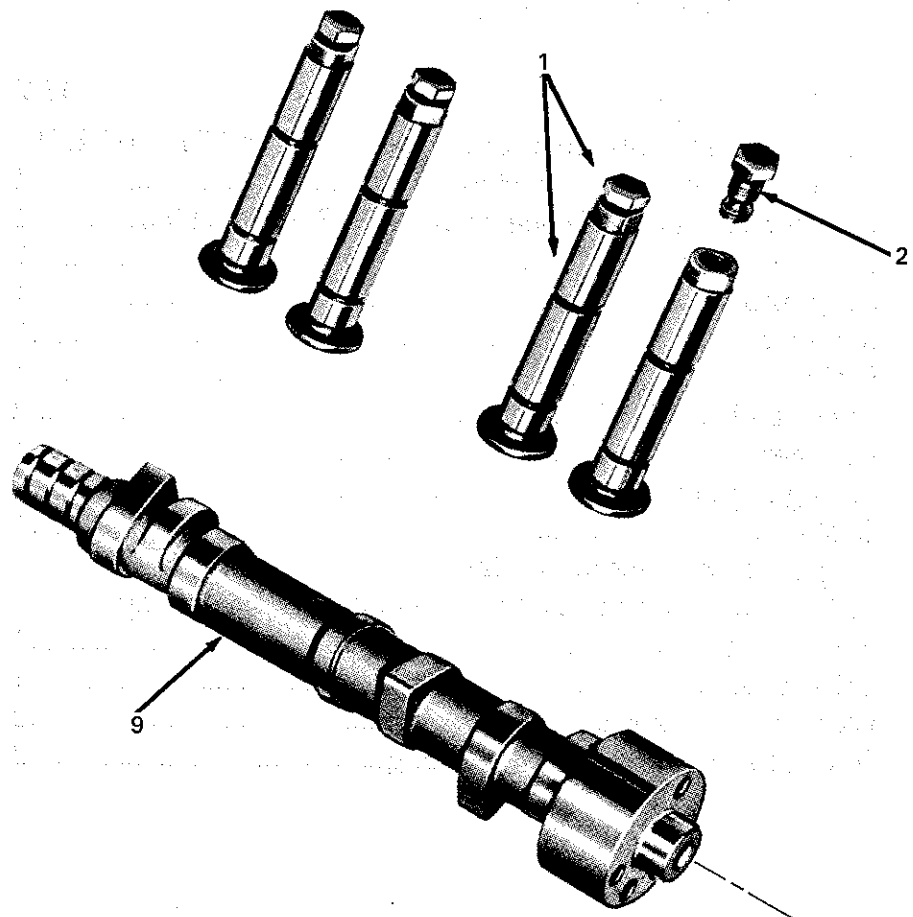
BI

LO84



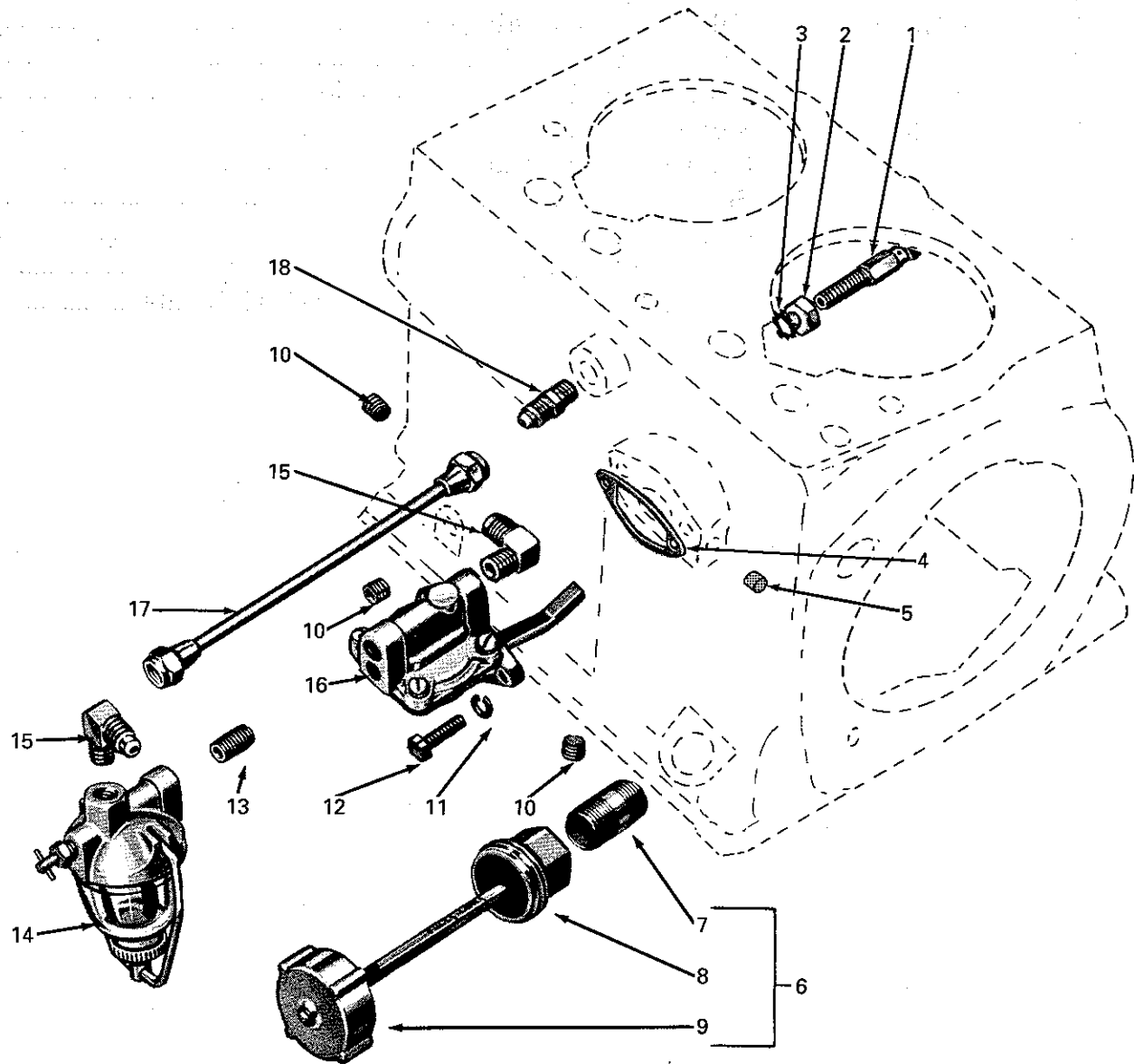
Oil Pump Assembly

ITEM	PART NO.	DESCRIPTION	QTY
—	KAA103	Oil pump assembly (includes items 1 - 16)(for TH and THD beginning with S/N 5472996)	1
1	KF55	Cap (for TH and THD beginning with S/N 5472996)	1
2	KF24	Oil pump push rod	1
3	KF23-1	Oil pump plunger	1
4	KF28	Retainer	1
5	PM165-1	Spring	1
6	ME38A	Check ball, 5/16" diameter	2
7	PK50A	Retainer	1
8	PM58E	Spring (replaces PM58)	1
9	QD846	Gasket	1
10	KA63DS1	Oil pump body assembly (includes items 4 - 6, 9; includes body and insert)(for TH and THD beginning with S/N 5472996)	1
11	RD107A	Oil strainer	1
12	PE4	Washer, 5/16" spring lock	2
13	XD16	Screw, 5/16"-18 thread x 7/8" long	2



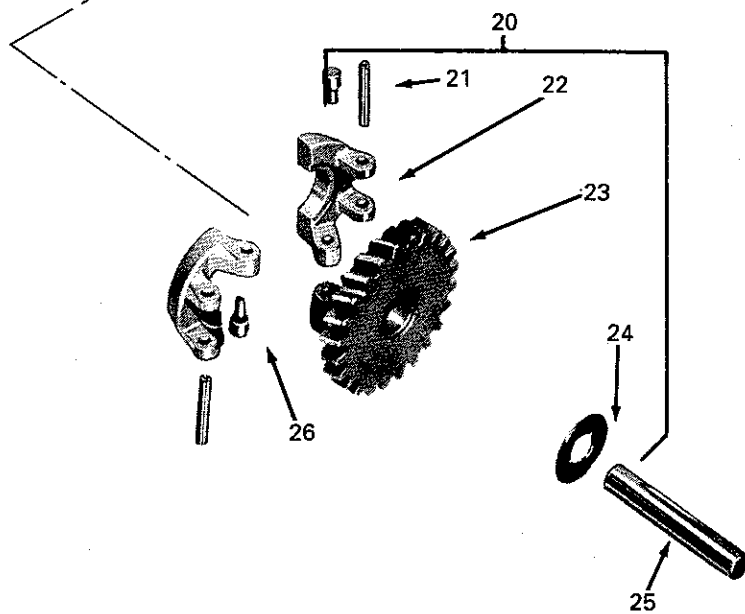
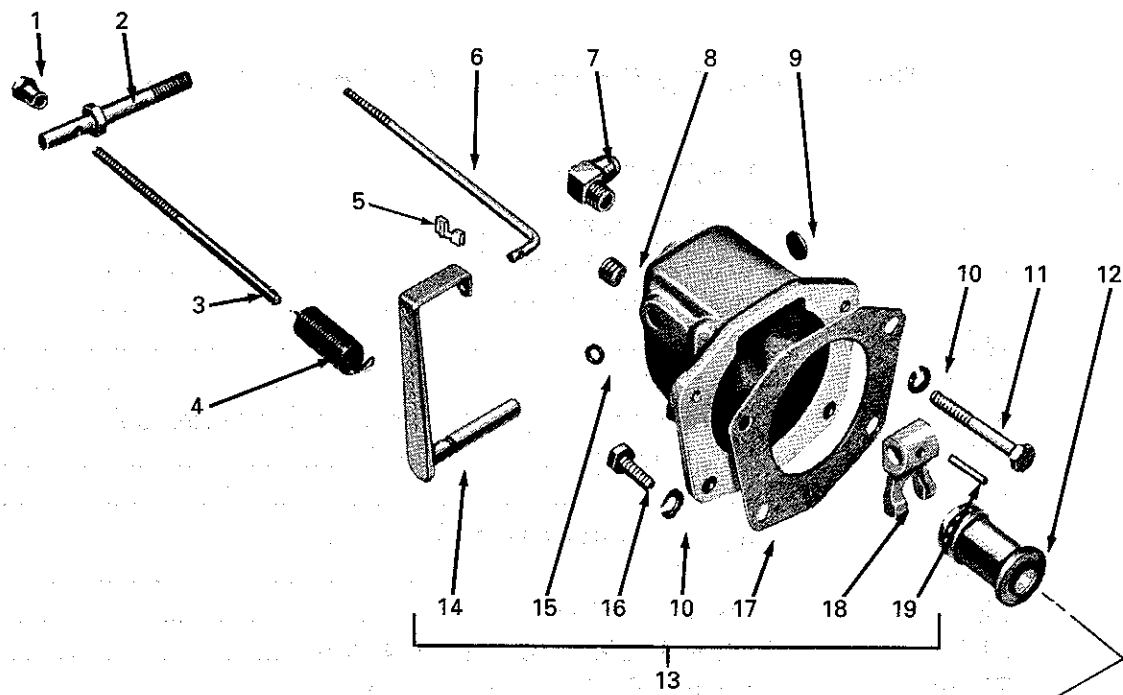
Camshaft and Valve Tappet

ITEM	PART NO.	DESCRIPTION	QTY
1	F61	Valve tappet with lockscrew	4
2	PB169A	Valve tappet adjusting screw	4
3	PE46	Lock washer, 5/16"	3
4	XD19	Screw, 5/16"-18 thread x 1-1/4" long	3
5	PM108	Spring	1
6	PF101	Camshaft thrust plunger	1
7	PF52	Button	1
8	GB45A2	Camshaft gear	1
9	EA133B	Camshaft (replaces EA133A) (for TJD only)	1
	EA136	Camshaft (replaces EA106C) (for TH, THD only)	1



Fuel Pump, Oil Gauge and Oil Spray Nozzle

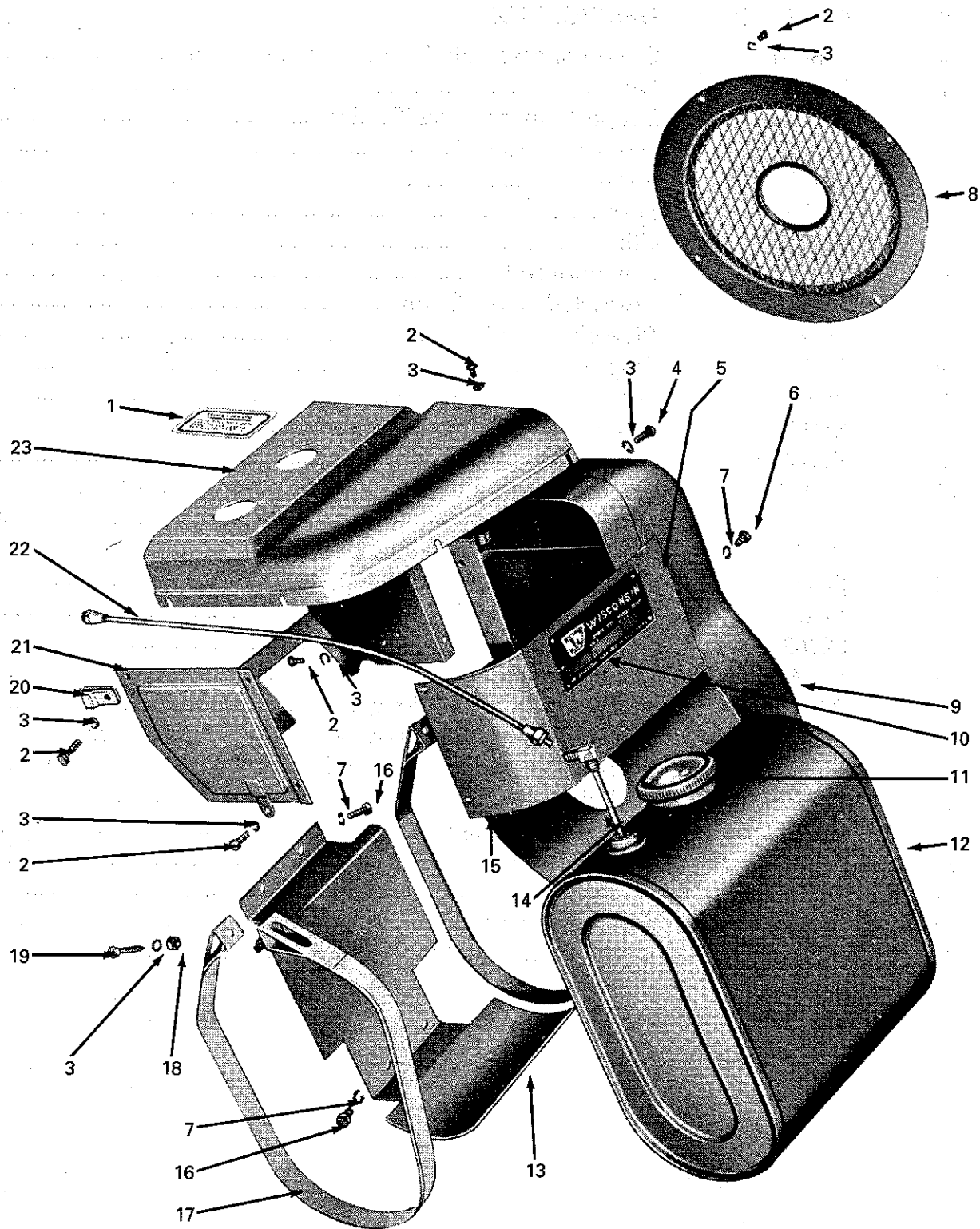
ITEM	PART NO.	DESCRIPTION	QTY
1	RF1196	Oil spray nozzle	1
2	PD78	Nut, 5/16"-18 thread	1
3	PE46	Lock washer, 5/16"	4
4	QD670	Gasket	1
5	PF131	Cup plug	1
6	R123	Oil filler and gauge assembly (includes items 7 - 9).....	1
7	LJ310	1/2" pipe nipple, 1-1/2" long.....	1
8	RB86	Body.....	1
9	RJ168BS1	Gap and gauge assembly	1
10	PF18	Pipe plug, 1/8"	4
11	PE3	Washer, 1/4" spring lock.....	2
12	XB75	Screw, 1/4"-20 thread x 3/4" long	2
13	RF794	Pipe nipple, 1/8" x 3/4" long	1
14	LP43	Fuel strainer	1
15	RF1225	Elbow	2
16	LP62AS1	Fuel pump (replaces LP42AS1)	1
—	LQ51	Repair kit, fuel pump	1
17	RM849	Oil line, 6" long	1
18	RF269	Straight fitting	1



Governor Assembly

ITEM	PART NO.	DESCRIPTION	QTY
—	T96LS1	Governor assembly (includes items 1 - 26)	1
1	PD173A	Nut	1
2	TC530S1	Support pin (replaces TC427B)	1
3	PI115K	Screw (replaces PI115F1)	1
4	PM75	Spring	1
—	PM76	Spring	1
5	PK178	Clip	1
6	VE877S1	Governor rod	1
7	RF270-4	Restricted elbow fitting	1
8	PF18	Pipe plug, 1/8"	1
9	SA52	Plug, 1/2"	1
10	PE3	Washer, 1/4" spring lock	4
11	XD11	Screw, 1/4"-20 thread x 2" long	2
12	TC391D	Thrust sleeve and bearing	1
13	TC422BS1	Governor housing assembly (includes items 7-9, 14, 15, 17-19; includes housing)	1
14	TC428C	Governor cross shaft and lever (includes item 15)	1
15	JK52	O-ring oil seal	1
16	XD6	Screw, 1/4"-20 x 3/4" long	2
17	QD638A	Gasket	1
18	VB166	Governor yoke	1
19	PA367	Roll pin, 1/8" x 3/4" long	1
20	TC405N	Governor gear - flyweight assembly (includes items 21-24, 26; includes gear and flyweights) (Replaces TC405K)	1
21	PA340	Roll pin	2
22	TC322DS1	Governor flyweight	2
23	* — — —	Governor gear	1
24	PH313A	Shim	1
25	TC388-2	Governor shaft	1
26	TC328D	Governor flyweight thrust pin	2

* Not serviced separately.



Air Shrouding and Fuel Tank

ITEM	PART NO.	DESCRIPTION	QTY
1	SD314	Warning decal	1
2	XA33	Screw, 1/4"-20 thread x 3/8" long	13
3	PE3	Washer, 1/4" spring lock	20
4	XA38	Screw, 1/4"-20 thread x 1" long	1
5	XA67	Screw, no. 4 x 1/4" long (for name plate)	4
6	XD13A	Screw, 5/16"-18 thread x 1/2" long	3
7	PE4	Washer, 5/16" spring lock	7
8	SE3	Flywheel screen	1
9	SE135	Flywheel air shroud, std.	1
—	SE135AT	Shroud, starter	1
—	SE135J	Shroud, starter, with pad	1
10	SD312A	Engine name plate	1
11	RC112	Cap	1
12	WE412S1	Fuel tank assembly (includes item 14; includes fuel tank with cap; replaces WE302S1)	1
13	BK79A	Bracket, std.	1
14	RM1206	Suction tube and elbow	1
15	SE136D	Cylinder shroud	1
16	XD13	Screw, 5/16"-18 thread x 1/2" long	4
17	PG488	Fuel tank strap	2
18	PD77	Nut, 1/4"-20 thread	2
19	XA52	Screw, 1/4"-20 thread x 1-1/2" long	2
20	PG314	Clip	1
21	SE138D	Heat deflector	1
22	RM477	Fuel line, 18" long, to side mount tank	1
23	SE137D	Air shroud cover (replaces SE137B)	1
—	BK80	Bracket, for electric start	1
—	WE412S2	Fuel tank, for electric start	1



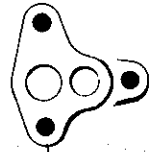
1



2



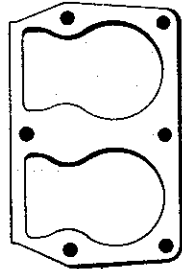
3



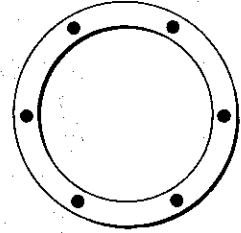
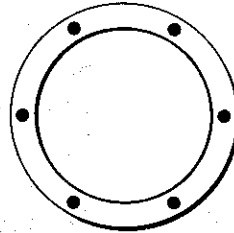
4



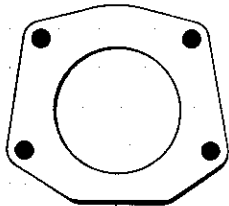
5



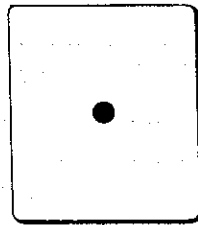
6



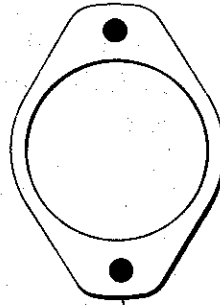
7



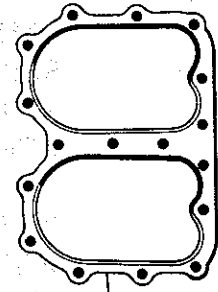
8



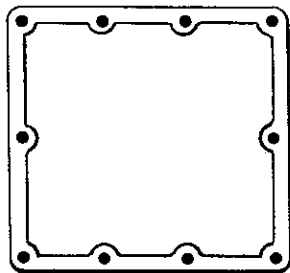
9



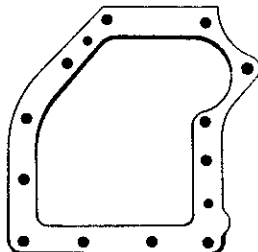
10



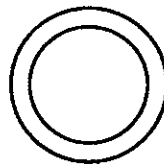
11



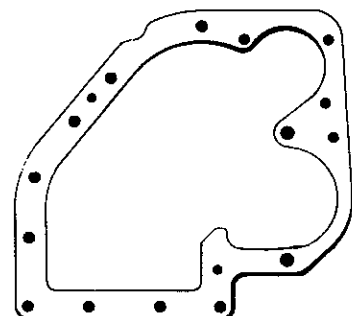
12



13



15



14

Engine Gasket Set

ITEM	PART NO.	DESCRIPTION	QTY
—	Q41	Overhaul gasket set (for TH,THD beginning with S/N 5472996)	1
—	Q30	Valve grinding gasket set	1
1	QB75	Gasket, manifold mounting	3
2	QD667	Gasket, air cleaner bracket	1
3	QD670	Gasket, fuel pump	1
4	QD846	Gasket, oil pump (for TH,THD beginning with S/N 5472996)	1
—	QD663A	Gasket, three hole mounting	1
5	QC71A	Gasket, carburetor mounting	1
6	QD617	Gasket, cylinder block to crankcase	1
7	QD844	Gasket, main bearing plate, .006" thick	4
—	QD845	Gasket, main bearing plate, .007" thick (for TH,THD beginning with S/N 5472996)	2
8	QD638A	Gasket, governor housing	1
9	QD612A	Gasket, valve inspection cover	2
10	QD616	Gasket, magneto mounting	1
11	QD613C	Gasket, cylinder head	1
12	QD662B	Gasket, engine base	1
13	QD661A	Gasket, gear cover spacer	1
14	QD660	Gasket, gear cover	1
15	QD669	Gasket, breather	1